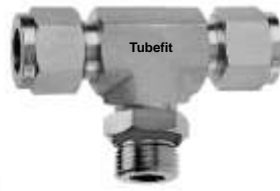
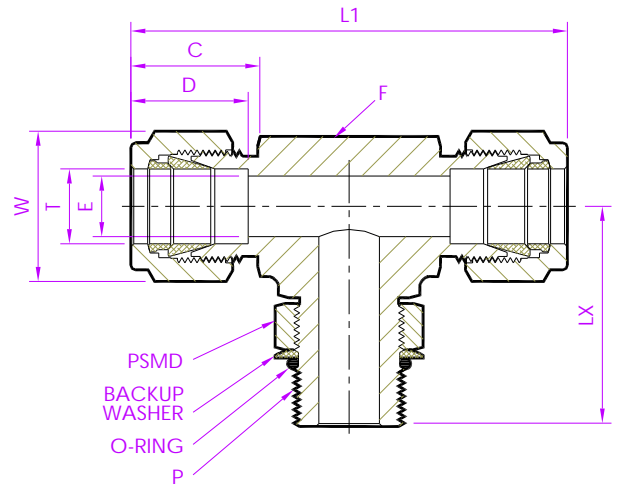


- Tube Fitting (Double Ferrule)-  
 Tube To Male Pipe Thread



# Positionable Male Branch Tee



Fractional Tube x SAE/MS Straight (M)

Tubefit Part No.	Equivalent Part No. Type 1	Equivalent Part No. Type 2	TUBE OD Ø T	SAE/MS Male Pipe Size P	ØE	D	C	L1	LX	Body Hex F	Nut Hex W
Dimensions in Inches											
<b>4 - PMBTD - 7SM</b>	- 400 - 3TTS	4M5BT4	1/4	7/16x20	0.19	0.60	0.70	2.24	1.12	9/16	9/16
<b>6 - PMBTD - 9SM</b>	- 600 - 3TTS	6M5BT6	3/8	9/16x18	0.28	0.66	0.76	2.52	1.27	5/8	11/16
<b>8 - PMBTD - 12SM</b>	- 810 - 3TTS	8M5BT8	1/2	3/4x16	0.41	0.90	0.86	2.96	1.49	13/16	7/8
<b>12 - PMBTD - 17SM</b>	- 1210 - 3TTS	12M5BT12	3/4	1.1/16x12	0.62	0.96	0.86	3.26	1.92	1.1/16	1.1/8
<b>16 - PMBTD - 21SM</b>	- 1610 - 3TTS	16M5BT16	1	1.5/16x12	0.88	1.23	1.04	3.98	2.11	1.3/8	1.1/2

NOTE: 1)The E Dimension is the minimum opening & Fittings of this group may be back drilling to lager ID at pipe thread or straight thread end.  
 2)Dimension L1, C, D is shown in the finger-tight position. 3)Dimensions are for referency only and are subject to change 4)SAE/MS (UNF) thread as per ASME B1.1.

- ALL PART NUMBERS ARE PROPRIETARY OF THEIR RESPECTIVE OWNERS. -