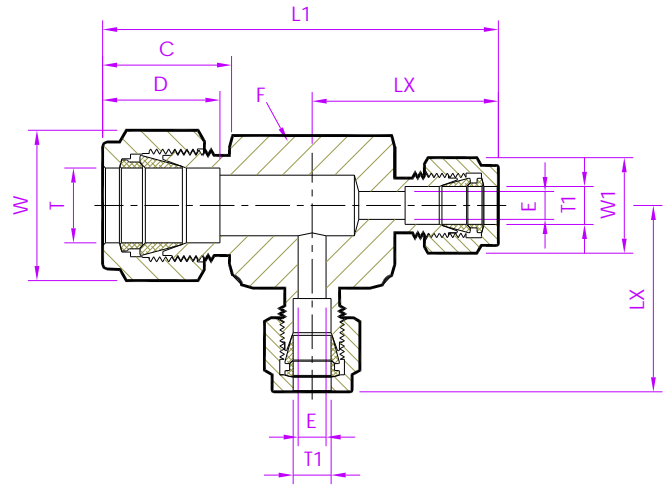


# Reducer Union Tee

(two similar to a different run - Y)



Fractional Tube x Fractional Tube

Tubefit Part No.	Equivalent Part No. Type 1	Equivalent Part No. Type 2	TUBE OD Ø T	TUBE OD Ø T1	ØE	D	C	L1	LX	Body Hex F	Nut Hex W	Nut Hex W1
Dimensions in Inches												
RUTYD - 8 - 4 - 4	- 810 - 3 - 4 - 4	8 - 4 - 4 JLZ	1/2	1/4	0.19	0.90	0.86	2.67	1.25	13/16	7/8	9/16
RUTYD - 8 - 6 - 6	- 810 - 3 - 6 - 6	8 - 6 - 6 JLZ		3/8	0.28			2.73	1.31			11/16
RUTYD - 12 - 8 - 8	- 1210 - 3 - 8 - 8	12 - 8 - 8 JLZ	3/4	1/2	0.41	0.96	0.86	3.12	1.56	1.1/16	1.1/8	7/8
RUTYD - 12 - 10 - 10	- 1210 - 3 - 10 - 10	12 - 10 - 10 JLZ		5/8	0.50			3.12	1.56			1
RUTYD - 16 - 14 - 14	- 1610 - 3 - 14 - 14	16 - 14 - 14 JLZ	1	7/8	0.72	1.23	1.04	3.70	1.76	1.3/8	1.1/2	1.1/4
RUTYD - 16 - 8 - 8	- 1610 - 3 - 8 - 8	16 - 8 - 8 JLZ		1/2	0.41			3.70	1.76			7/8
RUTYD - 16 - 6 - 6	- 1610 - 3 - 6 - 6	16 - 6 - 6 JLZ		3/8	0.28			3.59	1.65			11/16

NOTE: 1)The E Dimension is the minimum opening. 2)Dimension L1, C, D is shown in the finger-tight position.  
3)Dimensions are for reference only and are subject to change.

- ALL PART NUMBERS ARE PROPRIETARY OF THEIR RESPECTIVE OWNERS. -