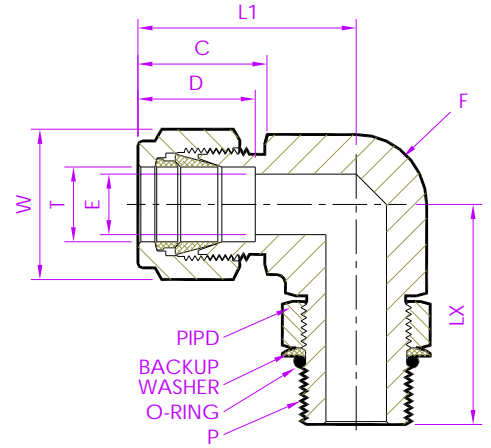


- Tube Fitting (Double Ferrule)-
Tube To Male Pipe Thread

Positionable Male Elbow



Fractional Tube x ISO Parallel (M)

Tubefit Part No.	Equivalent Part No. Type 1	Equivalent Part No. Type 2	TUBE OD Ø T	ISOP Male Pipe Size P	ØE	D	C	L1	LX	Body Hex F	Nut Hex W
Dimensions in Inches											
4 - PMED - 2IP	- 400 - 2 - 2PR	4MSEL2R	1/4	1/8	0.16	0.60	0.70	1.06	1.04	9/16	9/16
4 - PMED - 4IP	- 400 - 2 - 4PR	4MSEL4R		1/4	0.19			1.14	1.27	3/4	
6 - PMED - 4IP	- 600 - 2 - 4PR	6MSEL4R	3/8	1/4	0.23	0.66	0.76	1.20	1.27	3/4	11/16
6 - PMED - 6IP	- 600 - 2 - 6PR	6MSEL6R		3/8	0.28			1.31	1.46	13/16	
8 - PMED - 4IP	- 810 - 2 - 4PR	8MSEL4R	1/2	1/4	0.23	0.90	0.86	1.42	1.38	13/16	7/8
8 - PMED - 6IP	- 810 - 2 - 6PR	8MSEL6R		3/8	0.31			1.42	1.46	13/16	
8 - PMED - 8IP	- 810 - 2 - 8PR	8MSEL8R		1/2	0.41			1.50	1.71	15/16	
10 - PMED - 8IP	- 1010 - 2 - 8PR	10MSEL8R	5/8	1/2	0.47	0.96	0.86	1.50	1.71	15/16	1
12 - PMED - 8IP	- 1210 - 2 - 8PR	12MSEL8R	3/4	1/2	0.47	0.96	0.86	1.57	1.78	1.1/16	1.1/8
12 - PMED - 12IP	- 1210 - 2 - 12PR	12MSEL12R		3/4	0.62			1.57	1.92	1.1/16	
16 - PMED - 12IP	- 1610 - 2 - 12PR	16MSEL12R	1	3/4	0.62	1.23	1.04	1.93	2.10	1.3/8	1.1/2
16 - PMED - 16IP	- 1610 - 2 - 16PR	16MSEL16R		1	0.78			1.93	2.11	1.3/8	

NOTE: 1)The E Dimension is the minimum opening & Fittings of this group may be back drilling to lager ID at pipe thread or straight thread end.
2)Dimension L1, C, D is shown in the finger-tight position. 3)Dimensions are for reference only and are subject to change 4)ISO Parallel(BSPP) thread as per BS 2779.

- ALL PART NUMBERS ARE PROPRIETARY OF THEIR RESPECTIVE OWNERS. -