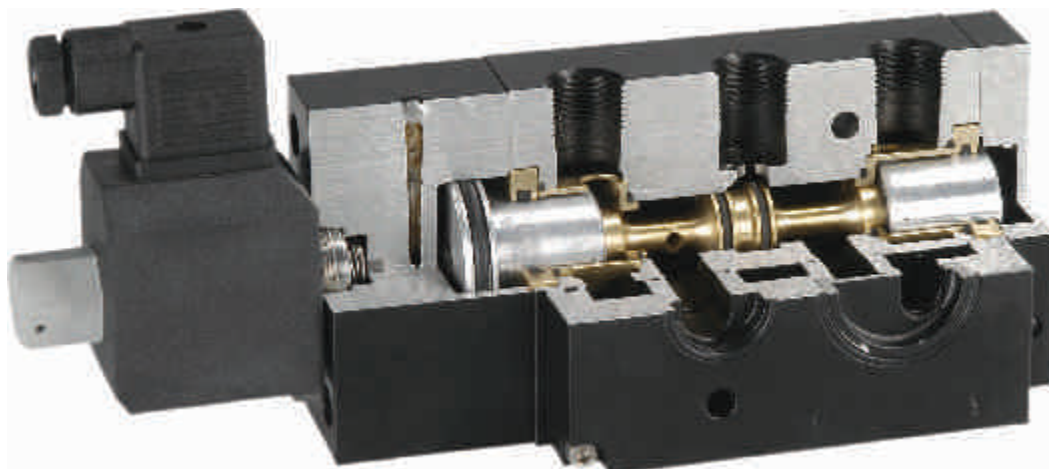


5/2, 3/2 CONVERTIBLE, INLINE POPPET, NAMUR SOLENOID VALVE



- Voltage, current and enclosure can be changed by replacing solenoid without affecting performance of the valve
- Easily serviceable
- Body material Aluminium and SS 316
- Life 60 million cycles
- Fast acting up to 1000 cycles per minute
- Exhaust ports can be blocked for speed regulation
- Can be supplied with NAMUR 2,3 and 4
- Larger Exhaust for faster operation of the actuator
- Slim poppet design
In 3/2 mode exhaust purged into the spring chamber of pneumatic actuator
- Manual override provided
- Suitable for Air, Gas, Water, Oil
- O ring and fasteners to mount solenoid Valve on the actuator are provided
- Temperature – 20 °C to 70 °C
- Lubrication not necessary
- 5/2, 3/2 convertible at site without need of any special tools

3/2 POPPET DESIGN NAMUR SOLENOID VALVE

- Poppet design
- Manual override provided
- Voltage, current and enclosure can be changed by replacing solenoid without affecting performance of the valve
- Suitable for Air, Gas, Water, Oil
- O rings and fasteners to mount solenoid valve on the actuator are Provided
- Temperature – 20 °C to 70 °C
- Exhaust purged into the spring chamber of pneumatic actuator.
- Lubrication not necessary
- Direct acting large Orifice



QUICK SELECTION CHART - NAMUR SOLENOID VALVE

PORT CONNECTION			PRE-PRESSURE bar		ORIFICE (mm)	FLOW FACTOR kv (LPM OF WATER @ 1 bar ΔP)	VALVE TYPE	PILOT PRESSURE	BODY MATERIAL AND INTERNALS			SEALS		MANUAL OVERRIDE		SOLENOID ENCLOSURE				OUTLET PORTS		POWER VA		CONSTRUCTION REFERENCE NUMBER					
SIZE	BSP(F)	NPT(F)	MINIMUM	MAXIMUM					ALUMINIUM	ALUMINIUM + SS	BRASS (STD. PORT NPT)	SS 316/CF8M (STD. PORT NPT)	NBR	Viton	F. Silicon	NIL	STAYPUT CUM MOMENTARY	MOMENTARY	FLYING LEAD	PLUG IN, IP67	SQ. PLUG IN, IP67	TERMINAL BOX IP67	Ex d IIC, T4 OR T6, IP67		LARGE ENCLOSURE	SOLENOID SIZE	NAMUR	AC INRUSH	AC HOLDING
3/2 ON/ OFF APPLICATION																													
1/4"	2G	2R																											
1/4"	2G	2R	0	10	5	9	*30318	×	B1	B5	×	S2	S19	M0	×	M8	22	25	T	E	III	14	2	8	8	8	311		
			0	16	1.6	1.6	30106	×		B5	×	S2	S19	M0	×	M8	22	25	T	E	III	14	1 or 2	18	12	8	309		
			0	10	1.8	1.8	30106	×		B5	×	S2	S19	M0	×	M8	22	25	T	E	III	14	1 or 2	18	12	8	309		
			0	8	2.2	2.5	30106	×		B5	×	S2	S19	M0	×	M8	22	25	T	E	III	14	1 or 2	18	12	8	309		
			0	6	2.5	3	30106	×		B5	×	S2	S19	M0	×	M8	22	25	T	E	III	14	1 or 2	18	12	8	309		
			0	10	5	9	*30318	×	B1	B5	×	S2	S19	M0	×	M8	22	25	T	E	III	14	2	8	8	8	311		
3/2 REGULATING APPLICATION																													
1/4"	2G	2R	0	10	5	9	*30138	×	B1	B5	×	S2	S19	×			22	25	T	E	III	14	2	8	8	8	313		
			0	10	1.8	1.8	*50401	×		B5	×	S2	S19	×	M8		22	25	T	E	III	14	1 or 2	18	12	8	315		
			0	10	5	9	*50402	×	B1	B5	×	S2	S19	×			22	25	T	E	III	14	2	8	8	8	315		
5/2, 3/2 CONVERTIBLE SINGLE SOLENOID																													
1/4"	2G	2R	2	10	6	12	51424	×	B1	B5	×	S2	M0	×	M8		25	T	E		14	2	18	12	8	317			
			2	10	6	18	*51442	×	B1	B5	×	S2	S19	M0	×	M8	22	25	T	E	III	14	2	18	12	8	319		
			2	10	6	18	51450	×	B1	B5	×	S2	S19	M0	×	M8	22	25	T	E	III	14	2	18	12	8	321		
			3.5	10	5	10	VAD231NC	×			×			×									8	2	18	12	8	323	
			3.5	10	5	10	VAD213NCFC	×			×			×									8	2	18	12	8	325	
			1/2"	4G	4R	2	10	12	60	51442	×	B1	B5	×	S2	M0	×	M8	22	25	T	E	III	14	4	18	12	8	319
2	10	12				60	51450	×	B1	B5	×	S2	M0	×	M8	22	25	T	E	III	14	4	18	12	8	321			
5/2, 3/2 CONVERTIBLE NAMUR DOUBLE SOLENOID																													
1/4"	2G	2R	2	10	6	18	*57442	×	B1	B5	×	S2	S19	M0	×		22	25	T	E	III	14	2	18	12	8	319		
			2	10	6	18	57450	×	B1	B5	×	S2	S19	M0	×		22	25	T	E	III	14	2	18	12	8	321		
			2	10	5	10	VAD214NC	×	B1		×			×									8	2	18	12	8	323	
			2	10	5	10	VAD214NCFC	×			×			×										8	2	18	12	8	325
			1/2"	4G	4R	2	10	12	60	57442	×	B1	B5	×	S2	M0	×		22	25	T	E	III	14	4	18	12	8	319
2	10	12				60	57450	×	B1	B5	×	S2	M0	×		22	25	T	E	III	14	4	18	12	8	321			
LOW POWER NAMUR SOLENOID VALVE																													
3/2 ON/ OFF APPLICATION																													
1/4"	2G	2R	0	10	5	9	*30318LW	×	B1	B5	×	S2	S19	M0	×	M8		25	T	E		14	2	3.5	3.5	3.5	327		
3/2 REGULATING APPLICATION LOW POWER SOLENOID VALVE																													
1/4"	2G	2R	0	10	5	9	*30138LW	×	B1	B5	×	S2	S19	×			25	T	E		14	2	3.5	3.5	3.5	329			
5/2, 3/2 CONVERTIBLE LOW POWER SINGLE SOLENOID VALVE																													
1/4"	2G	2R	2	10	6	18	51450LW	×	B1	B5	×	S2	S19	M0	×	M8	25	T	E		14	2	2	2	2	331			
1/2"	4G	4R	2	10	12	60	51450LW	×	B1	B5	×	S2	M0	×	M8	25	T	E		14	4	2	2	2	2	331			
5/2, 3/2 CONVERTIBLE LOW POWER DOUBLE SOLENOID VALVE																													
1/4"	2G	2R	2	10	6	18	57450LW	×	B1	B5	×	S2	S19	M0	×		25	T	E		14	2	2	2	2	331			
1/2"	4G	4R	2	10	12	60	57450LW	×	B1	B5	×	S2	M0	×		25	T	E		14	4	2	2	2	2	331			

Cable Entry T E * = Do not specify when opted for Refer Page # 22 for Value of *
M20 x 1.5 19 39 * Valve can be supplied with Viton GLT
1/2" NPT 16 37

Specifications are subject to change without notice



QUICK SELECTION CHART - NAMUR INTRINSICALLY SAFE SOLENOID VALVE

PORT CONNECTION			PRE-SSURE bar		ORIFICE (mm)	FLOW FACTOR kv (LPM OF WATER @ 1 bar ΔP)	VALVE TYPE	PILOT PRESSURE	BODY MATERIAL AND INTERNALS				SEALS		MANUAL OVERRIDE		SOLENOID ENCLOSURE EXPLOSION PROOF Ex ia IIC,T6,IP67				OUTIEY PORTS		POWER VA		CONSTRUCTION REFERENCE NUMBER	
SIZE	BSP(F)	NPT(F)	MINIMUM	MAXIMUM					ALUMINIUM	ALUMINIUM + SS	BRASS (STD. PORT NPT)	SS 316/CF8M (STD. PORT NPT)	NBR	Viton	Viton GLT	F. Silicon	NIL	STAYPUT CUM MOMENTARY	MOMENTARY	LOW POWER IS PLUG IN	LOW POWER IS TERMINAL BOX	Low Power IS FPJB Ex d	IS Coil With Circuit Ex ia (d) IIC T6, IP67	SOLENOID SIZE		NAMUR
3/2 ON/ OFF APPLICATION																										
1/4"	2G	2R	0	16	1.6	30106	*	B5	*	S2	S19	M0	*	M8					I	14	1 or 2			0.4	337	
			0	10	1.8	30106	*	B5	*	S2	S19	M0	*	M8						I	14	1 or 2			0.4	337
			0	8	2.2	30106	*	B5	*	S2	S19	M0	*	M8						I	14	1 or 2			0.4	337
			0	6	2.5	30106	*	B5	*	S2	S19	M0	*	M8						I	14	1 or 2			0.4	337
3/2 REGULATING APPLICATION																										
1/4"	2G	2R	0	10	1.8	50401	*	B5	*	S2	S2GS19	*	M8						I	14	1 or 2			0.4	337	
5/2, 3/2 CONVERTIBLE SINGLE SOLENOID																										
1/4"	2G	2R	2	10	6	18	51442	*	B1	B5	*	S2	S2GS19	M0	*	M8				I	14	2			0.4	337
			2	10	6	18	51450	*	B1	B5	*	S2	S19	M0	*	M8				I	14	2			0.4	337
			2	8	6	18	51442IS	*	B1	B5	*	S2	S19	M0	*	M8	65CR	T	E		13	2			0.3	333
			2	8	6	18	51450IS	*	B1	B5	*	S2	S19	M0	*	M8	65CR	T	E		13	2			0.3	335
1/2"	4G	4R	2	10	12	60	51442	*	B1	B5	*	S2	M0	*	M8				I	14	4				0.4	337
			2	10	12	60	51450	*	B1	B5	*	S2	M0	*	M8				I	14	4				0.4	337
			2	8	12	60	51442IS	*	B1	B5	*	S2	M0	*	M8	65CR	T	E		13	4			0.3	333	
			2	8	12	60	51450IS	*	B1	B5	*	S2	M0	*	M8	65CR	T	E		13	4			0.3	335	
5/2, 3/2 CONVERTIBLE DOUBLE SOLENOID																										
1/4"	2G	2R	2	10	6	18	57442	*	B1	B5	*	S2	S2GS19	M0	*					I	14	2			0.4	337
			2	10	6	18	57450	*	B1	B5	*	S2	S19	M0	*					I	14	2			0.4	337
			2	8	6	18	57450IS	*	B1	B5	*	S2	S19	M0	*	65CR	T	E		13	2			0.3	335	
1/2"	4G	4R	2	10	12	60	57442	*	B1	B5	*	S2	M0	*					I	14	4				0.4	337
			2	10	12	60	57450	*	B1	B5	*	S2	M0	*					I	14	4				0.4	337
			2	8	12	60	57450IS	*	B1	B5	*	S2	M0	*	65CR	T	E		13	4			0.3	335		

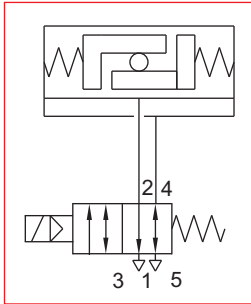
Cable Entry	T	E	I
M20 x 1.5	68	73	64
1/2" NPT	67	72	63

 * = Do not specify when opted for Refer Page # 22 for Value of *

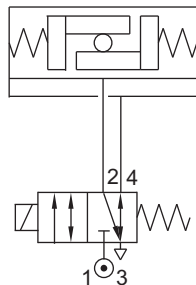
11



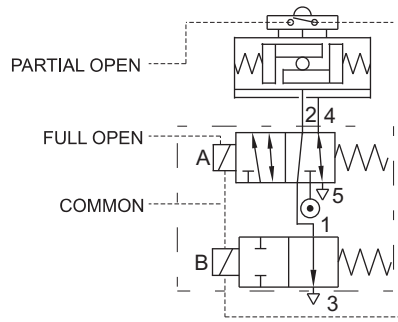
APPLICATION NAMUR SOLENOID VALVE



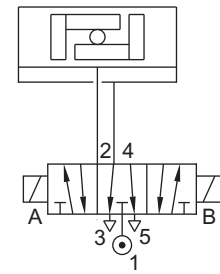
Type 30106



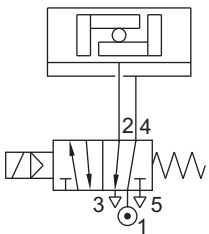
30318, 30318LW



Type 30138

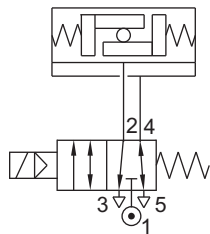


50401, 50401LW
50402, 50402LW

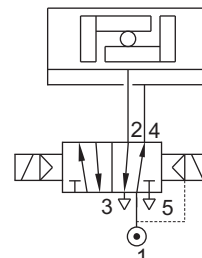


5/2 MODE

51424, 51424LW, 51424IS,
VAD 213NC

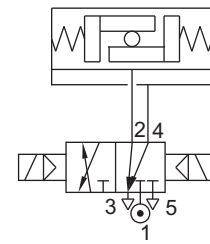


3/2 MODE

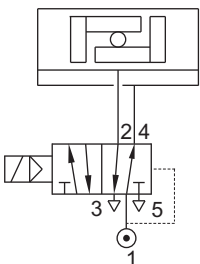


5/2 MODE

57450, 57450LW, 57450IS
57442, 57442LW, 57442IS

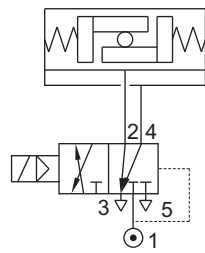


3/2 MODE

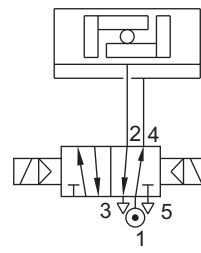


5/2 MODE

51450, 51450LW, 51450IS
51442 51442LW, 51442IS

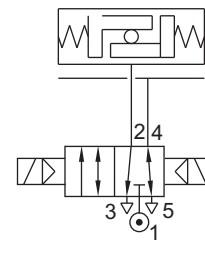


3/2 MODE

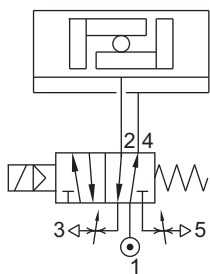


5/2 MODE

VAD214NC

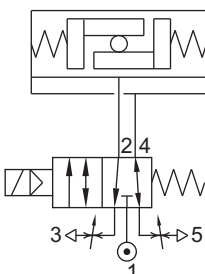


3/2 MODE

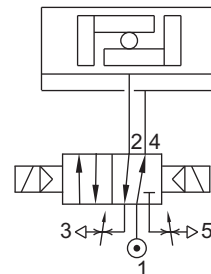


5/2 MODE

VAD213NCFC

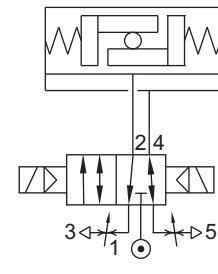


3/2 MODE



5/2 MODE

VAD214NCFC



3/2 MODE

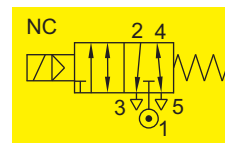


3/2 DIRECT ACTING NAMUR SOLENOID VALVE

TYPE	PRESSURE

TYPE	PRESSURE

TYPE	PRESSURE
30106	0 - 16 bar

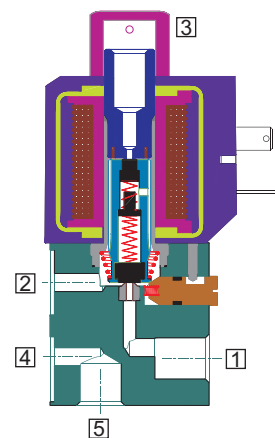


FEATURES

- Ideally suited for spring return actuator
- Low cost economical model
- High pressure up to 150 bar available
- Dust caps provided on the exhaust ports

WETTED PARTS

Code	※	B5
Body	Anodized Aluminium	SS 316
Internals	Aluminium, SS 316	SS 316
Guide Assembly	SS 304	
Shadow-Ring	Copper/ Silver/ None	
Plunger, Insert	SS 430	
Spring	SS 302	
Fasteners	SS 304	
Seat, Seals	NBR, Viton, F. Silicon	



AMBIENT AND FLUID TEMPERATURE

-25 °C to 75 °C

SPECIAL VERSION AND SUFFIX

Suffix : (Valve) AM, WO
Special version : (Solenoid) CO, FR, SS, LC, III

MEDIA

Air, Inert Gases, Water

APPLICATION

Operation of single acting actuator

PORT CONNECTION

INLET	OUTLET	OUTLET	EXHAUST	EXHAUST
1	2	4	3	5

- Contact Rotex for
- Any other ambient, fluid temperature, media and application
 - UL listed, Listed general purpose Valve
 - SIL4 approved valve



SPARES

(Refer page 25 for ordering code)

SPARE KIT	CODE
Seal Kit : Oring Set and Plunger Assembly	98
Repair Kit : Oring Set, Plunger Assembly, Fastener, Springs, Manual Override	99
Solenoid Kit : Solenoid, Gasket and Nut	34

APPROVAL

(* applied for)

Approval	Nema 4X	IP67	Ex d IIC T4 or T5 or T6 IP66	Ex ia IIC T6 IP67	DGMS	CCOE
		✓	✓	✓	✓	✓
CE		✓	✓	✓		
UL	✓		*			
			✓	✓		
PG			✓	✓		
			✓	✓		



3/2 DIRECT ACTING NAMUR SOLENOID VALVE

SPECIFICATION

PORT CONNECTION		PRE-SSURE bar	ORIFICE (mm)	FLOW FACTOR kv (LPM OF WATER @ 1 bar ΔP)	VALVE TYPE	PILOT PRESSURE	BODY MATERIAL AND INTERNALS		SEALS		MANUAL OVERRIDE	SOLENOID ENCLOSURE				OUTLET PORTS		POWER VA		CONSTRUCTION REFERENCE NUMBER
SIZE	BSPT(F)						MINIMUM	MAXIMUM	ALUMINIUM	ALUMINIUM + SS		F. Silicon	NIL	WEATHER PROOF	EXPLOSION PROOF	NAMUR	AC INRUSH	AC HOLDING	DC	
	NPT(F)										FLYING LEAD	PLUG IN, IP67	SQ. PLUG IN, IP67	TERMINAL BOX IP67						
										STAYPUT CUM MOMENTARY				Ex d IIC, T4 OR T6, IP67						
										MOMENTARY				LARGE ENCLOSURE						
														SOLENOID SIZE						

3/2 ON/ OFF APPLICATION

SIZE	PORT CONNECTION	ORIFICE (mm)	FLOW FACTOR kv	PILOT PRESSURE	ALUMINIUM	ALUMINIUM + SS	SEALS	MANUAL OVERRIDE	SOLENOID ENCLOSURE	OUTLET PORTS	POWER VA	CONSTRUCTION REFERENCE NUMBER
1/4"	2G 2R	0 16 1.6 1.5 30106	*	B5	* S2	S19	M0	* M8	22 25 T E III 14	1 or 2	18 12 8	N3
		0 10 1.8 1.8 30106	*	B5	* S2	S19	M0	* M8	22 25 T E III 14	1 or 2	18 12 8	N3
		0 8 2.2 2.2 30106	*	B5	* S2	S19	M0	* M8	22 25 T E III 14	1 or 2	18 12 8	N3
		0 6 2.5 3.0 30106	*	B5	* S2	S19	M0	* M8	22 25 T E III 14	1 or 2	18 12 8	N3

Cable Entry	T	E	※ = Do not specify when opted for Refer Page # 22 for Value of ※
M20 x 1.5	19	39	
1/2" NPT	16	37	

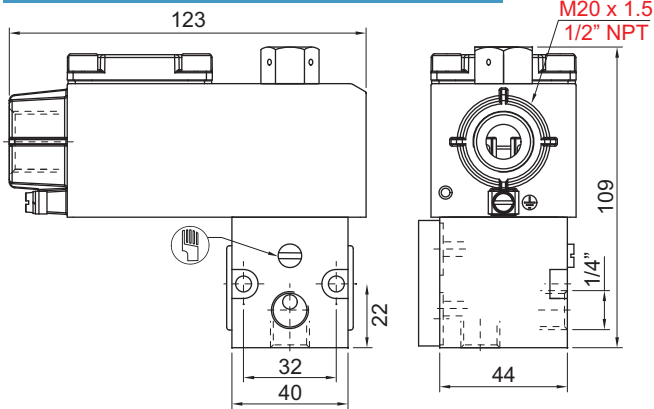
ORDERING CODE, EXAMPLE VALVE + SOLENOID

TYPE - SUFFIX - ORIFICE - PORT CONNECTION - BODY AND INTERNALS - MANUAL OVERRIDE - SEAL + SIZE - VOLTAGE - CURRENT - SOLENOID ENCLOSURE - APPROVAL - INSULATION - SPECIAL VERSION
 e.g. 30106-2.2-2G+24V DC-19

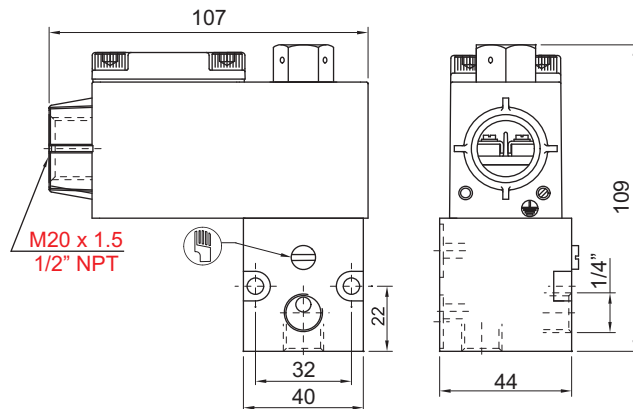
DIMENSIONS

All Dimensions are in mm

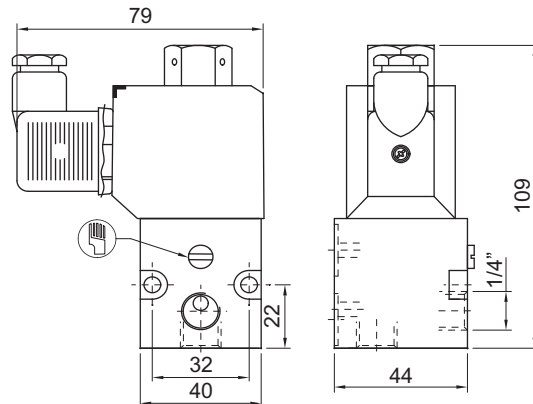
CONSTRUCTION REFERENCE N3



TERMINAL BOX/ Ex d LARGE ENCLOSURE TYPE 16, 19, 37, 39



TERMINAL BOX/ Ex d TYPE 16, 19, 37, 39



PLUG IN SOLENOID TYPE 22/ 25



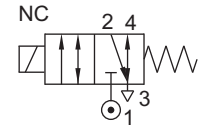
SERIES : 32D

3/2 DIRECT ACTING NAMUR SOLENOID VALVE

TYPE	PRESSURE

TYPE	PRESSURE

TYPE	PRESSURE
30318	0 - 10 bar

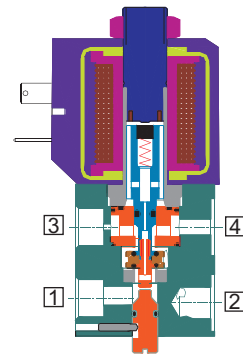


FEATURES

- Ideally suited for Spring Return Actuator
- Exhaust purged into spring chamber
- Higher flow for faster operation
- Air and power fail to return
- Non return plug fitted on the exhaust port

WETTED PARTS

Code	※	B1	B5
Body	Anodized Aluminium	Anodized Aluminium	SS 316
Internals	Aluminium, Brass and SS 316	SS 316	SS 316
Guide Assembly	SS 304		
Shadow-Ring	None		
Plunger, Insert	SS 430		
Spring	SS 302		
Fasteners	SS 304		
Seat, Seals	NBR, Viton, Viton GLT, F. Silicon		



AMBIENT AND FLUID TEMPERATURE

-25 °C to 75 °C

SPECIAL VERSION AND SUFFIX

Suffix : (Valve) AM, WO
 Special version : (Solenoid) CO, FR, SS, LC, III

MEDIA

Air, Inert Gases, Water

APPLICATION

Operation of single acting actuator

PORT CONNECTION

INLET	OUTLET	OUTLET	EXHAUST
1	2	4	3

Contact Rotex for

- Any other ambient, fluid temperature, media and application
- UL listed, Listed general purpose Valve
- SIL4 approved valve



For Valve type 30318 operated with AC voltage select inbuilt full rectified special version of solenoid with option FR

SPARES

(Refer page 25 for ordering code)

SPARE KIT	CODE
Seal Kit : Oring Set and Plunger Assembly	98
Repair Kit : Oring Set, Plunger Assembly, Fastener, Springs, Manual Override	99
Solenoid Kit : Solenoid, Gasket and Nut	34

APPROVAL

(* applied for)

Approval	Nema 4X	IP67	Ex d IIC T4 or T5 or T6 IP66	Ex ia IIC T6 IP67	DGMS	CCOE
		✓	✓	✓	✓	✓
		✓	✓	✓		
	✓		*			
			✓	✓		
			✓	✓		
			✓	✓		

11

3/2 DIRECT ACTING NAMUR SOLENOID VALVE

SPECIFICATION

PORT CONNECTION		PRE-SSURE bar	ORIFICE (mm)	FLOW FACTOR Kv (LPM OF WATER @ 1 bar ΔP)	VALVE TYPE	PILOT PRESSURE	BODY MATERIAL AND INTERNALS				SEALS			MANUAL OVERRIDE		SOLENOID ENCLOSURE		OUTLET PORT	POWER VA		CONSTRUCTION REFERENCE NUMBER					
SIZE	BSP(F)	NPT(F)					MINIMUM	MAXIMUM	ALUMINIUM	ALUMINIUM + SS	BRASS (STD. PORT NPT)	SS 316/CF8M (STD. PORT NPT)	NBR	Viton	EPDM	Viton GLT	F. Silicon		NIL	STAYPUT CUM MOMENTARY		MOMENTARY	FLYING LEAD	PLUG IN, IP67	SQ. PLUG IN, IP67	TERMINAL BOX IP67

3/2 ON/ OFF APPLICATION

1/4"	2G	2R	0	10	5	9	30318		*	B1	B5	*	S2	S2G S19	M0	*	M8	22	25	T	E	III	14	2	8	8	8	N5
------	----	----	---	----	---	---	-------	--	---	----	----	---	----	---------	----	---	----	----	----	---	---	-----	----	---	---	---	---	----

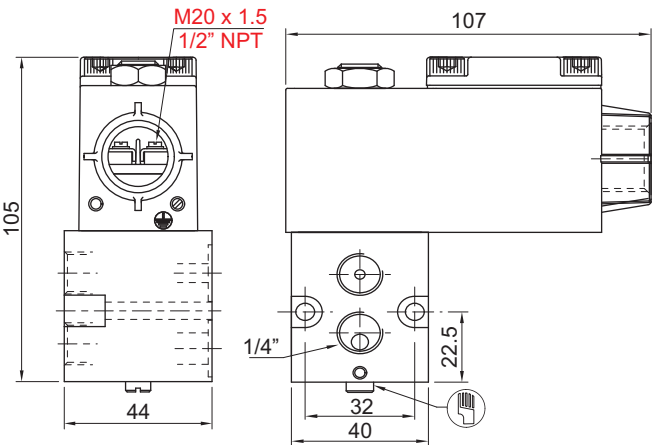
Cable Entry	T	E	* = Do not specify when opted for Refer Page # 22 for Value of *	
M20 x 1.5	19	39		
1/2" NPT	16	37		

ORDERING CODE, EXAMPLE VALVE + SOLENOID

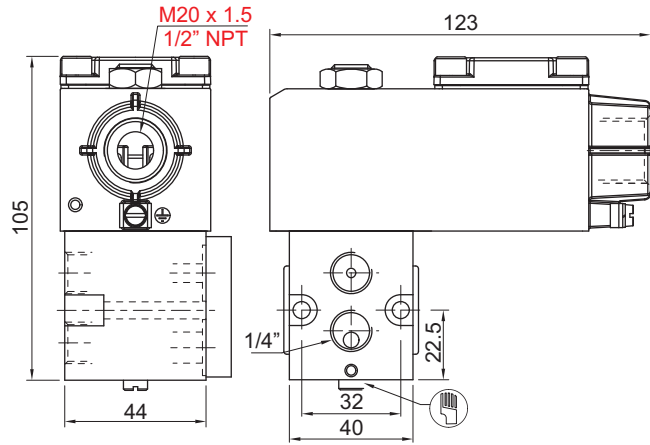
TYPE - SUFFIX - ORIFICE - PORT CONNECTION - BODY AND INTERNALS - MANUAL OVERRIDE - SEAL + SIZE - VOLTAGE - CURRENT - SOLENOID ENCLOSURE - APPROVAL - INSULATION - SPECIAL VERSION
 e.g. 30318-5-2R-B5+220V AC-37-FR

DIMENSIONS All Dimensions are in mm

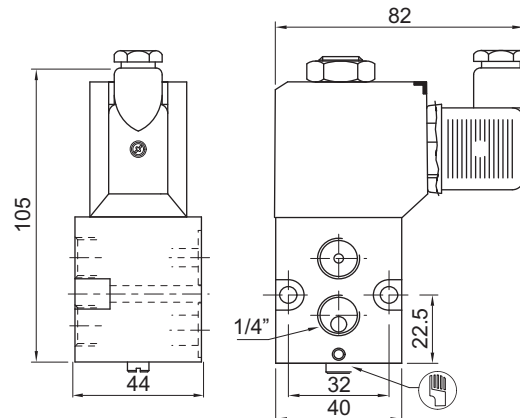
CONSTRUCTION REFERENCE N5



TERMINAL BOX/ Ex d TYPE 16, 19, 37, 39



TERMINAL BOX/ Ex d LARGE ENCLOSURE, TYPE 16, 19, 37, 39



PLUG IN SOLENOID TYPE 22/ 25



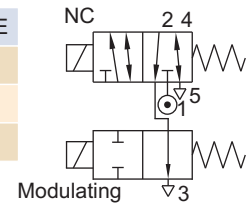
SERIES : 32D

3/2 DIRECT ACTING REGULATING, NAMUR SOLENOID VALVE

TYPE	PRESSURE

TYPE	PRESSURE

TYPE	PRESSURE
30138	0 - 10 bar



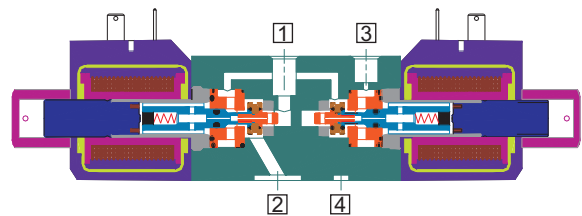
FEATURES

- Most suited for stopping spring return actuator at mid position set through limit switch
- Air or Power failure to return
- Solenoid can be operated directly or through PID Controller
- Ideal for modulating application
- Dust cap provided on the exhaust port



WETTED PARTS

Code	※	B1	B5
Body	Anodized Aluminium	Anodized Aluminium	SS 316
Internals	Aluminium, Brass and SS 316	SS 316	SS 316
Guide Assembly	SS 304		
Shadow-Ring	-		
Plunger, Insert	SS 430		
Spring	SS 302		
Fasteners	SS 304		
Seat, Seals	NBR, Viton, Viton GLT, F. Silicon		



AMBIENT AND FLUID TEMPERATURE

-25 °C to 75 °C

SPECIAL VERSION AND SUFFIX

Suffix : (Valve) AM, WO
 Special version : (Solenoid) CO, FR, SS, LC, III

MEDIA

Air, Inert Gases

APPLICATION

Operation of single acting actuator

PORT CONNECTION

INLET	OUTLET	OUTLET	EXHAUST	EXHAUST
1	2	4	3	5

Contact Rotex for

- Any other ambient, fluid temperature, media and application
- UL listed, Listed general purpose Valve



For Valve type 30138 operated with AC voltage select inbuilt full rectified special version of solenoid with option FR

SPARES

(Refer page 25 for ordering code)

SPARE KIT	CODE
Seal Kit : Oring Set and Plunger Assembly	98
Repair Kit : Oring Set, Plunger Assembly, Fastener, Springs, Manual Override	99
Solenoid Kit : Solenoid, Gasket and Nut	34

APPROVAL

(* applied for)

Approval	Nema 4X	IP67	Ex d IIC T4 or T5 or T6 IP66	Ex ia IIC T6 IP67	DGMS	CCOE
		✓	✓	✓	✓	✓
		✓	✓	✓		
	✓		*			
			✓	✓		
			✓	✓		
			✓	✓		

3/2 DIRECT ACTING REGULATING, NAMUR SOLENOID VALVE

SPECIFICATION

PORT CONNECTION		PRE-SSURE bar	ORIFICE (mm)	FLOW FACTOR K _v (LPM OF WATER @ 1 bar ΔP)	VALVE TYPE	PILOT PRESSURE	BODY MATERIAL AND INTERNALS				SEALS				MANUAL OVERRIDE		SOLENOID ENCLOSURE		OUTLET PORT	POWER VA		CONSTRUCTION REFERENCE NUMBER							
SIZE							ALUMINIUM	ALUMINIUM + SS	BRASS	SS 316/CF8M	(STD. PORT NPT)	(STD. PORT NPT)	NBR	Viton	EPDM	Viton GLT	F. Silicon	NIL		STAYPUT CUM MOMENTARY	MOMENTARY		FLYING LEAD	PLUG IN, IP67	SQ. PLUG IN, IP67	TERMINAL BOX IP67	Ex d IIC, T4 OR T6, IP67	LARGE ENCLOSURE	SOLENOID SIZE
3/2 REGULATING APPLICATION																													
1/4"	2G	2R	0	10	5	9	30138		×	B1		B5	×	S2		S2GS19	×		22	25	T	E	III	14	2	8	8	8	N7

Cable Entry	T	E	※ = Do not specify when opted for Refer Page # 22 for Value of ※		
M20 x 1.5	19	39			
1/2" NPT	16	37			

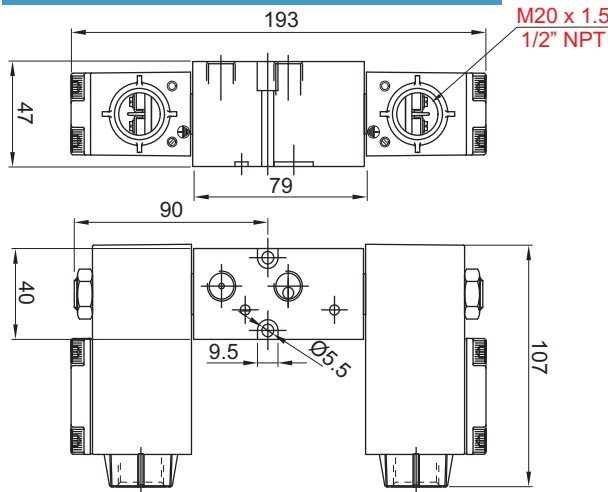
ORDERING CODE, EXAMPLE VALVE + SOLENOID

TYPE - SUFFIX - ORIFICE - PORT CONNECTION - BODY AND INTERNALS - MANUAL OVERRIDE - SEAL + SIZE - VOLTAGE - CURRENT - SOLENOID ENCLOSURE - APPROVAL - INSULATION - SPECIAL VERSION
 e.g. 30138-5-2R-S2+110V AC-16-FR

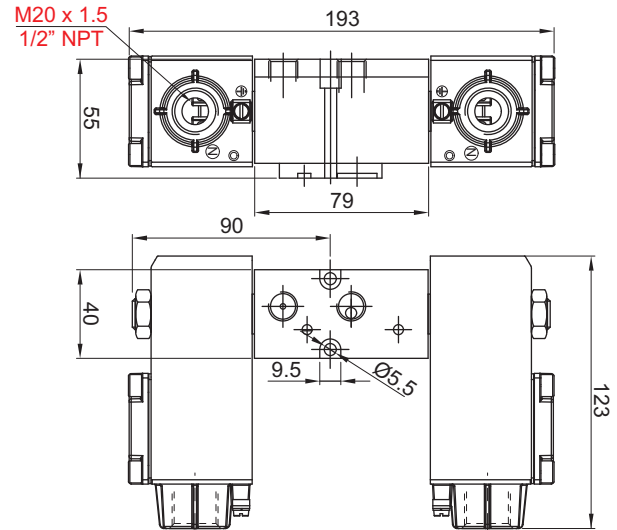
DIMENSIONS

All Dimensions are in mm

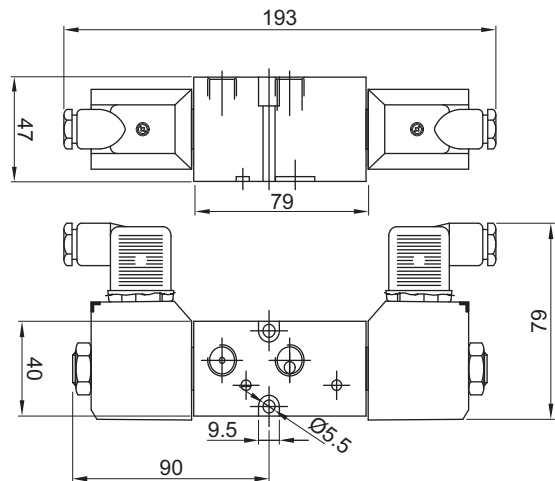
CONSTRUCTION REFERENCE N7



TERMINAL BOX/ Ex d TYPE 16, 19, 37, 39



TERMINAL BOX/ Ex d LARGE ENCLOSURE, TYPE 16, 19, 37, 39



PLUG IN SOLENOID TYPE 22/ 25

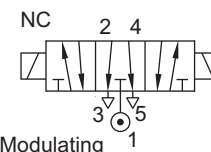


5/3 DIRECT ACTING ON/ OFF/ REGULATING, NAMUR SOLENOID VALVE

TYPE	PRESSURE

TYPE	PRESSURE

TYPE	PRESSURE
50401	0 - 10 bar
50402	0 - 10 bar



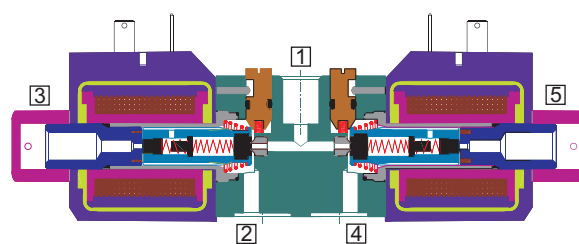
FEATURES

- Air or power failure to retain
- Low cost alternative to 5 port valve
- Ideally suited for operating double acting rotary actuator connected to ball or plug valve for on/ off, Control duty cycle
- Solenoid can be operated directly or through PID controller



WETTED PARTS

Code	⌘	B5
Body	Anodized Aluminium	SS 316
Internals	Aluminium, Brass and SS 316	SS 316
Guide Assembly	SS 304	
Shadow-Ring	Copper/ Silver/ None	
Plunger, Insert	SS 430	
Spring	SS 302	
Fasteners	SS 304	
Seat, Seals	NBR, Viton, Viton GLT, F. Silicon	



AMBIENT AND FLUID TEMPERATURE

-25 °C to 75 °C

SPECIAL VERSION AND SUFFIX

Suffix : (Valve) AM, WO
Special version : (Solenoid) CO, FR, SS, LC, III

MEDIA

Air, Inert Gases

APPLICATION

Operation of double acting actuator

PORT CONNECTION

INLET	OUTLET	OUTLET	EXHAUST	EXHAUST
1	2	4	3	5

SPARES

(Refer page 25 for ordering code)

SPARE KIT	CODE
Seal Kit : Oring Set and Plunger Assembly	98
Repair Kit : Oring Set, Plunger Assembly, Fastener, Springs, Manual Override	99
Solenoid Kit : Solenoid, Gasket and Nut	34

APPROVAL

(* applied for)

Approval	Nema 4X	IP67	Ex d IIC T4 or T5 or T6 IP66	Ex ia IIC T6 IP67	DGMS	CCOE
		✓	✓	✓	✓	✓
CE		✓	✓	✓		
UL	✓		*			
			✓	✓		
			✓	✓		
			✓	✓		

Contact Rotex for

- Any other ambient, fluid temperature, media and application
- UL listed, Listed general purpose Valve



For Valve type 50402 operated with AC voltage select in built full rectified solenoid with FR option

5/3 DIRECT ACTING ON/ OFF/ REGULATING NAMUR SOLENOID VALVE

SPECIFICATION

PORT CONNECTION		PRE-SSURE bar	ORIFICE (mm)		VALVE TYPE	PILOT PRESSURE	BODY MATERIAL AND INTERNALS				SEALS			MANUAL OVERRIDE		SOLENOID ENCLOSURE		OUTLET PORT	POWER VA		CONSTRUCTION REFERENCE NUMBER						
SIZE	BSP(F) NPT(F)	MINIMUM MAXIMUM	ORIFICE (mm)	FLOW FACTOR Kv (LPM OF WATER @ 1 bar ΔP)			ALUMINIUM	ALUMINIUM + SS	BRASS (STD. PORT NPT)	SS 316/CF8M (STD. PORT NPT)	NBR	Viton	EPDM	Viton GLT	F. Silicon	NIL	STAYPUT CUM MOMENTARY		MOMENTARY	FLYING LEAD		PLUG IN, IP67	SQ. PLUG IN, IP67	TERMINAL BOX IP67	Ex d IIC, T4 OR T6, IP67	LARGE ENCLOSURE	SOLENOID SIZE

3/2 REGULATING APPLICATION

1/4"	2G	2R	0	10	1.8	1.8	50401	*	B5	*	S2	S2GS19	*	M8	22	25	T	E	III	14	1 or 2	18	12	8	N9
			0	10	5	10	50402	*	B5	*	S2	S2GS19	*		22	25	T	E	III	14	2	18	12	8	N9

Cable Entry T E * = Do not specify when opted for Refer Page # 22 for Value of *
M20 x 1.5 19 39
1/2" NPT 16 37

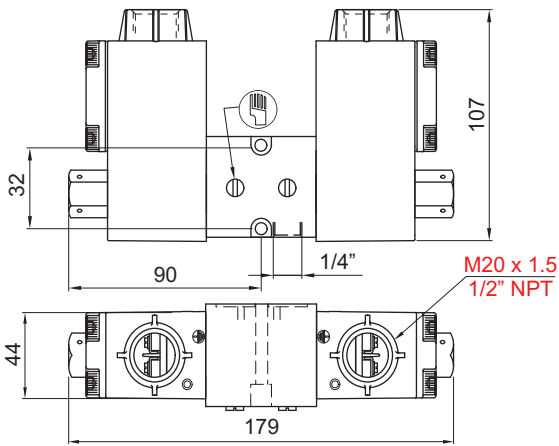
ORDERING CODE, EXAMPLE VALVE + SOLENOID

TYPE - SUFFIX - ORIFICE - PORT CONNECTION - BODY AND INTERNALS - MANUAL OVERRIDE - SEAL + SIZE - VOLTAGE - CURRENT - SOLENOID ENCLOSURE - APPROVAL - INSULATION - SPECIAL VERSION
e.g. 50401-1.8-2G+24V DC-22

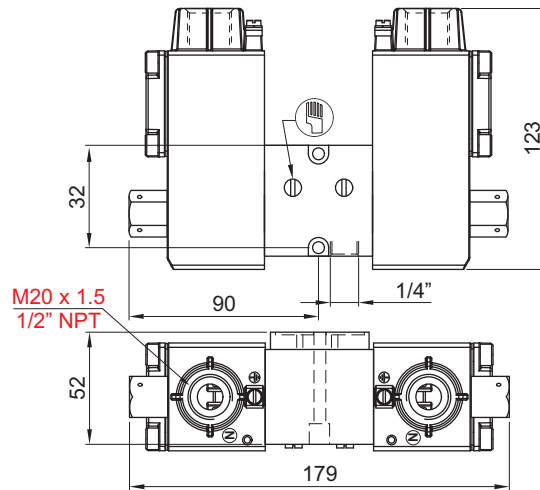
DIMENSIONS

All Dimensions are in mm

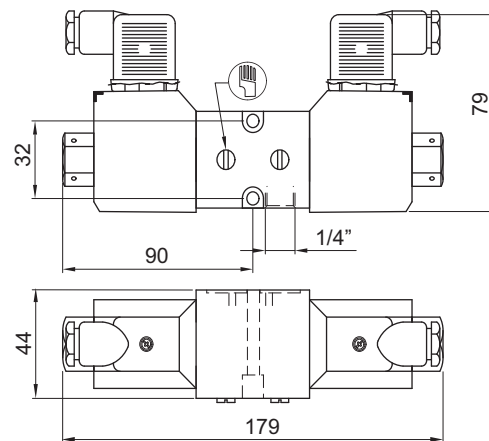
CONSTRUCTION REFERENCE N9



TERMINAL BOX/ Ex d TYPE 16, 19, 37, 39



TERMINAL BOX/ Ex d LARGE ENCLOSURE, TYPE 16, 19, 37, 39



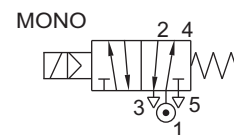
PLUG IN SOLENOID TYPE 22/ 25

5/2, 3/2 CONVERTIBLE POPPET TYPE, NAMUR SOLENOID VALVE

TYPE	PRESSURE

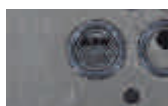
TYPE	PRESSURE

TYPE	PRESSURE
51424	1 - 10 bar



FEATURES

- Ideally suited for dusty out door application
- Poppet design for faster operation
- Dust cap fitted on exhaust port



Match Slot to 5/2 for 5/2

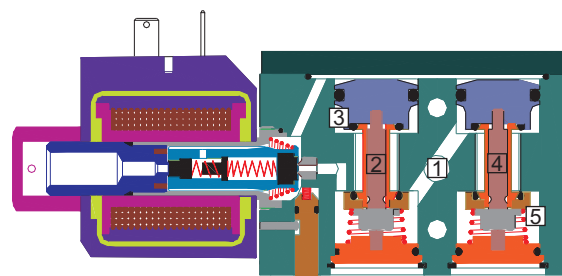


Match Slot to 3/2 for 3/2



WETTED PARTS

Code	※	B1	B5
Body	Anodized Aluminium	Anodized Aluminium	SS 316
Internals	Aluminium, Brass and SS 316	SS 316	SS 316
Guide Assembly	SS 304		
Shadow-Ring	Copper/ Silver/ None		
Plunger, Insert	SS 430		
Spring/ Circlip	SS 302/ Steel Plated		
Fasteners	SS 304		
Seat, Seals	NBR, Viton		



AMBIENT AND FLUID TEMPERATURE

-25 °C to 75 °C

SPECIAL VERSION AND SUFFIX

Suffix : (Valve) AM, WO
Special version : (Solenoid) CO, FR, SS, LC, III

MEDIA

Air, Inert Gases

APPLICATION

Operation of double/ single acting actuator

PORT CONNECTION

INLET	OUTLET	OUTLET	EXHAUST	EXHAUST	PILOT EXHAUST
1	2	4	3	5	6

Contact Rotex for

- Any other ambient, fluid temperature, media and application
- UL listed, Listed general purpose Valve



SPARES

(Refer page 25 for ordering code)

SPARE KIT	CODE
Seal Kit : Oring Set and Plunger Assembly	98
Repair Kit : Oring Set, Plunger Assembly, Fastener, Springs, Manual Override	99
Solenoid Kit : Solenoid, Gasket and Nut	34

APPROVAL

(★ applied for)

Approval	Nema 4X	IP67	Ex d IIC T4 or T5 or T6 IP66	Ex ia IIC T6 IP67	DGMS	CCOE
		✓	✓	✓	✓	✓
CE		✓	✓	✓		
UL	✓		*			
			✓	✓		
PG			✓	✓		
			✓	✓		

5/2, 3/2 CONVERTIBLE POPPET TYPE, NAMUR SOLENOID VALVE

SPECIFICATION

PORT CONNECTION		PRE-SSURE bar	ORIFICE (mm)	FLOW FACTOR Kv (LPM OF WATER @ 1 bar ΔP)	VALVE TYPE	PILOT PRESSURE	BODY MATERIAL AND INTERNALS						SEALS				MANUAL OVERRIDE		SOLENOID ENCLOSURE		OUTLET PORT	POWER VA		CONSTRUCTION REFERENCE NUMBER		
SIZE	BS(F)						NPT(F)	MINIMUM	MAXIMUM	ALUMINIUM	ALUMINIUM + SS	BRASS (STD. PORT NPT)	SS 316/CF8M (STD. PORT NPT)	NBR	Viton	EPDM	HYTREL	PTFE	NIL	STAYPUT CUM MOMENTARY		MOMENTARY	FLYING LEAD		PLUG IN, IP67	SQ. PLUG IN, IP67

5/2, 3/2 CONVERTIBLE SINGLE SOLENOID

1/4"	2G	2R	2	10	6	12	51424		*	B1	B5	*	S2		M0	*	M8	22		T	E	14	2	18	12	8	N11
------	----	----	---	----	---	----	-------	--	---	----	----	---	----	--	----	---	----	----	--	---	---	----	---	----	----	---	-----

Cable Entry	T	E	※ = Do not specify when opted for Refer Page # 22 for Value of ※		
M20 x 1.5	19	39			
1/2" NPT	16	37			

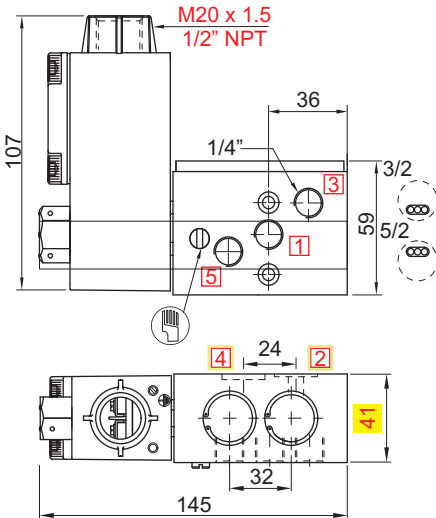
ORDERING CODE, EXAMPLE VALVE + SOLENOID

TYPE - SUFFIX - ORIFICE - PORT CONNECTION - BODY AND INTERNALS - MANUAL OVERRIDE - SEAL + SIZE - VOLTAGE - CURRENT - SOLENOID ENCLOSURE - APPROVAL - INSULATION - SPECIAL VERSION
 e.g. 51424-6-2G+220V 50Hz-22

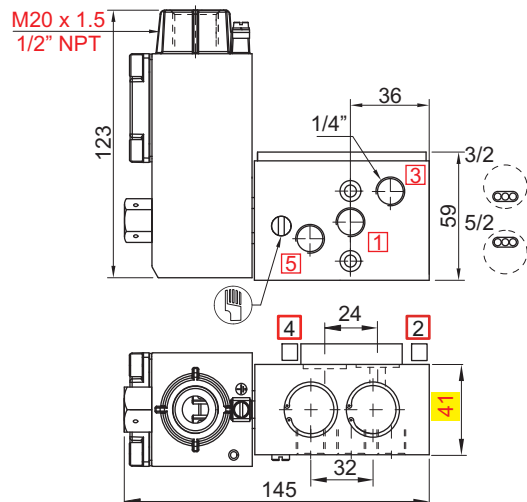
DIMENSIONS

All Dimensions are in mm

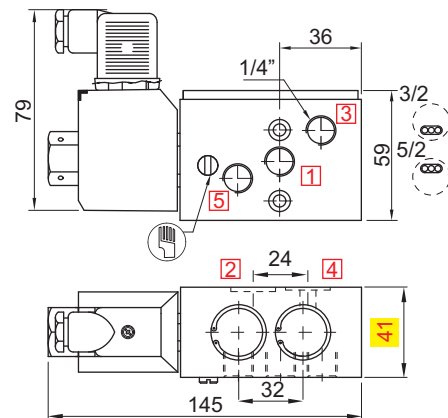
CONSTRUCTION REFERENCE N11



TERMINAL BOX/ Ex d TYPE 16, 19, 37, 39



TERMINAL BOX/ Ex d LARGE ENCLOSURE, TYPE 16, 19, 37, 39



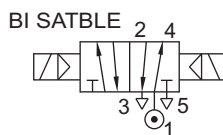
PLUG IN SOLENOID TYPE 22/ 25



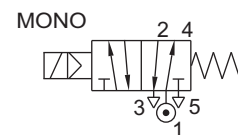
5/2, 3/2 CONVERTIBLE POPPET TYPE, NAMUR SOLENOID VALVE

TYPE	PRESSURE

TYPE	PRESSURE
57442	2 - 10 bar



TYPE	PRESSURE
51442	2 - 10 bar



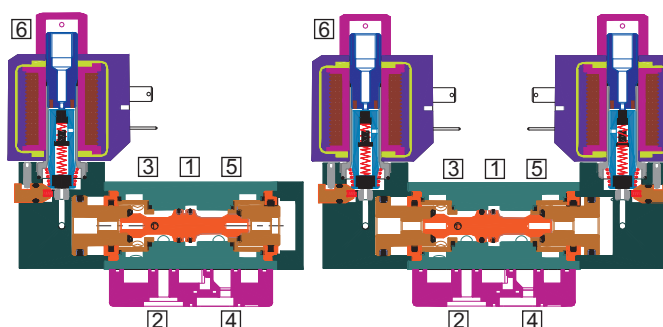
FEATURES

- This valve is same as 51450 except for coil orientation
- Ideally suited for dusty out door application
- Best suited for low power solenoid or IS coil with circuit
- Dust cap fitted on exhaust port
- In 3/2 mode exhaust purged to spring chamber



WETTED PARTS

Code	※	B1	B5
Body	Anodized Aluminium	Anodized Aluminium	SS 316
Internals	Aluminium, Brass and SS 316	SS 316	SS 316
Guide Assembly	SS 304		
Shadow-Ring	Copper/ Silver/ None		
Plunger, Insert	SS 430		
Spring/ Circlip	SS 302		
Fasteners	SS 304		
Seat, Seals	NBR, Viton, Viton GLT, F. Silicon		



AMBIENT AND FLUID TEMPERATURE

-25 °C to 75 °C

SPECIAL VERSION AND SUFFIX

Suffix : (Valve) AM, WO
Special version : (Solenoid) CO, FR, SS, LC, III

MEDIA

Air, Inert Gases

APPLICATION

Operation of double/ single acting actuator

PORT CONNECTION

INLET	OUTLET	OUTLET	EXHAUST	EXHAUST	PILOT EXHAUST
1	2	4	3	5	6

Contact Rotex for

- Any other ambient, fluid temperature, media and application
- UL listed, Listed general purpose Valve
- SIL4 approved valve



SPARES

(Refer page 25 for ordering code)

SPARE KIT	CODE
Seal Kit : Oring Set and Plunger Assembly	98
Repair Kit : Oring Set, Plunger Assembly, Fastener, Springs, Manual Override	99
Solenoid Kit : Solenoid, Gasket and Nut	34

APPROVAL

(* applied for)

Approval	Nema 4X	IP67	Ex d IIC T4 or T5 or T6 IP66	Ex ia IIC T6 IP67	DGMS	CCOE
		✓	✓	✓	✓	✓
CE		✓	✓	✓		
UL	✓		*			
			✓	✓		
			✓	✓		
			✓	✓		

5/2, 3/2 CONVERTIBLE POPPET TYPE, NAMUR SOLENOID VALVE

SPECIFICATION

PORT CONNECTION		PRE-SSURE bar		ORIFICE (mm)	FLOW FACTOR kv (LPM OF WATER @ 1 bar ΔP)	VALVE TYPE	PILOT PRESSURE	BODY MATERIAL AND INTERNALS		SEALS			MANUAL OVERRIDE		SOLENOID ENCLOSURE				OUTLET PORT	POWER VA		CONSTRUCTION REFERENCE NUMBER			
SIZE	BSP(F)	NPT(F)	MINIMUM					MAXIMUM	ALUMINIUM	ALUMINIUM + SS	NBR	Viton	EPDM	Viton GLT	F. Silicon	NIL	STAYPUT CUM MOMENTARY	MOMENTARY		FLYING LEAD	PLUG IN, IP67		SQ. PLUG IN, IP67	TERMINAL BOX IP67	Ex d IIC, T4 OR T6, IP67

5/2, 3/2 CONVERTIBLE SINGLE SOLENOID

1/4"	2G	2R	2	10	6	18	51442	*	B1	B5	*	S2	S2G S19	M0	*	M8	22	25	T	E	III	14	2	18	12	8	N13
1/2"	4G	4R	2	10	12	60	51442	*	B1	B5	*	S2		M0	*	M8	22	25	T	E	III	14	4	18	12	8	N14

5/2, 3/2 CONVERTIBLE DOUBLE SOLENOID

1/4"	2G	2R	2	10	6	18	57442	*	B1	B5	*	S2	S2G S19	M0	*		22	25	T	E	III	14	2	18	12	8	N13
1/2"	4G	4R	2	10	12	60	57442	*	B1	B5	*	S2		M0	*		22	25	T	E	III	14	4	18	12	8	N14

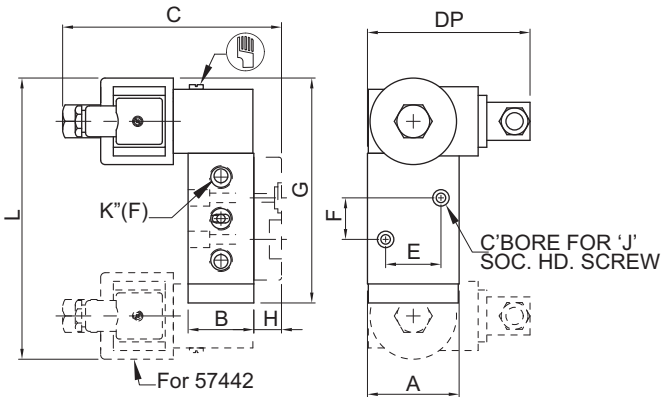
Cable Entry	T	E	* = Do not specify when opted for Refer Page # 22 for Value of *		
M20 x 1.5	19	39			
1/2" NPT	16	37			

ORDERING CODE, EXAMPLE VALVE + SOLENOID

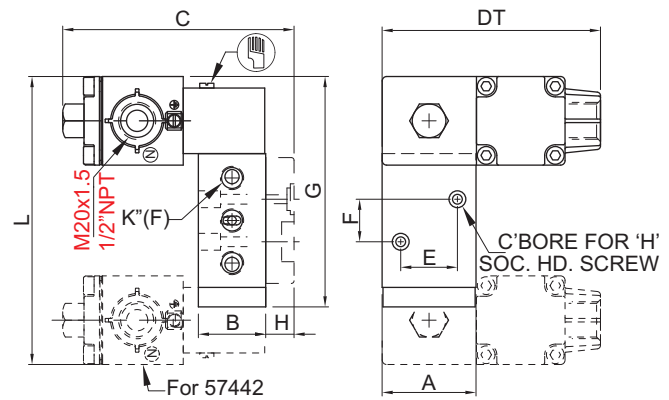
TYPE - SUFFIX - ORIFICE - PORT CONNECTION - BODY AND INTERNALS - MANUAL OVERRIDE - SEAL + SIZE - VOLTAGE - CURRENT - SOLENOID ENCLOSURE - APPROVAL - INSULATION - SPECIAL VERSION
 e.g. 51442-12-4R-B5+12V DC-22

DIMENSIONS

All Dimensions are in mm



PLUG IN SOLENOID TYPE 22/ 25



TERMINAL BOX/ Ex d/ LARGE ENCLOSURE, TYPE 16, 19, 37, 39

NW	K" (PORT SIZE)	A	B	C	DP	DT	E	F	G	H	J	L	CONST. REF.
VALVE TYPE : 51442													
6	1/4"	53	38	130	94	123	32	24	130	16	M4	--	N13
12	1/2"	75	45	188	105	134	50	40	174	20	M6	--	N14
VALVE TYPE : 57442													
6	1/4"	53	38	130	94	123	32	24	--	16	M4	163	N13
12	1/2"	75	45	188	105	134	50	40	--	20	M6	230	N14

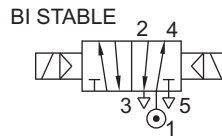


SERIES : 52S

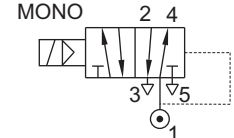
5/2, 3/2 CONVERTIBLE INLINE POPPET, NAMUR SOLENOID VALVE

TYPE	PRESSURE

TYPE	PRESSURE
57450	2 - 10 bar



TYPE	PRESSURE
51450	2 - 10 bar



FEATURES

- Ideally suited where speed control by blocking exhaust is desired
- Power fail to reset
- Non return plug provided on the exhaust port
- In 3/2 mode exhaust purged to spring chamber



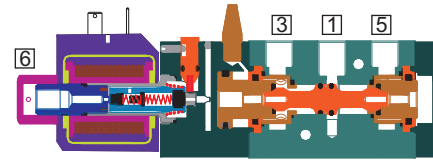
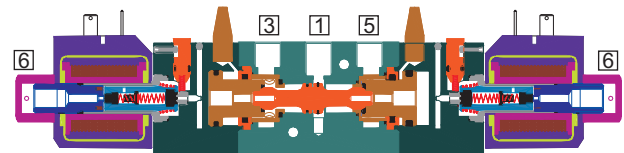
Match Slot to 5/2 for 5/2

Match Slot to 3/2 for 3/2



WETTED PARTS

Code	※	B1	B5
Body	Anodized Aluminium	Anodized Aluminium	SS 316
Internals	Aluminium, Brass and SS 316	SS 316	SS 316
Guide Assembly	SS 304		
Shadow-Ring	Copper/ Silver/ None		
Plunger, Insert	SS 430		
Spring	SS 302		
Fasteners	SS 304		
Seat, Seals	NBR, Viton		



AMBIENT AND FLUID TEMPERATURE

-25 °C to 75 °C

SPECIAL VERSION AND SUFFIX

Suffix : (Valve) AM, WO
 Special version : (Solenoid) CO, FR, SS, LC, III

MEDIA

Air, Inert Gases

APPLICATION

Operation of double/ single acting actuator

PORT CONNECTION

INLET	OUTLET	OUTLET	EXHAUST	EXHAUST	PILOT EXHAUST
1	2	4	3	5	6

- Contact Rotex for
- Any other ambient, fluid temperature, media and application
 - UL listed, Listed general purpose Valve
 - SIL4 approved valve

CONTACT ROTEX BEFORE SELECTIONG THIS ITEM

SPARES

(Refer page 25 for ordering code)

SPARE KIT	CODE
Seal Kit : Oring Set and Plunger Assembly	98
Repair Kit : Oring Set, Plunger Assembly, Fastener, Springs, Manual Override	99
Solenoid Kit : Solenoid, Gasket and Nut	34

APPROVAL

(* applied for)

Approval	Nema 4X	IP67	Ex d IIC T4 or T5 or T6 IP66	Ex ia IIC T6 IP67	DGMS	CCOE
		✓	✓	✓	✓	✓
		✓	✓	✓		
	✓		*			
			✓	✓		
			✓	✓		
			✓	✓		

5/2, 3/2 CONVERTIBLE INLINE POPPET TYPE, NAMUR SOLENOID VALVE

SPECIFICATION

SIZE	PORT CONNECTION		PRE-SURE bar		ORIFICE (mm)	FLOW FACTOR kv (LPM OF WATER @ 1 bar ΔP)	VALVE TYPE	PILOT PRESSURE	BODY MATERIAL AND INTERNALS		SEALS				MANUAL OVERRIDE		SOLENOID ENCLOSURE				OUTLET PORT	POWER VA		CONSTRUCTION REFERENCE NUMBER				
	BSP(F)	NPT(F)	MINIMUM	MAXIMUM					ALUMINIUM	ALUMINIUM + SS	NBR	Viton	EPDM	Viton GLT	F. Silicon	NIL	STAYPUT CUM MOMENTARY	MOMENTARY	FLYING LEAD	PLUG IN, IP67		SQ. PLUG IN, IP67	TERMINAL BOX IP67		Ex d IIC, T4 OR T6, IP67	LARGE ENCLOSURE	SOLENOID SIZE	NAMUR
5/2, 3/2 CONVERTIBLE SINGLE SOLENOID																												
1/4"	2G	2R	2	10	6	18	51450		×	B1	B5	×	S2		M0	×	M8	22	25	T	E	III	14	2	18	12	8	N15
1/2"	4G	4R	2	10	12	60	51450		×	B1	B5	×	S2		M0	×	M8	22	25	T	E	III	14	4	18	12	8	N16
5/2, 3/2 CONVERTIBLE DOUBLE SOLENOID																												
1/4"	2G	2R	2	10	6	18	57450		×	B1	B5	×	S2		M0	×		22	25	T	E	III	14	2	18	12	8	N15
1/2"	4G	4R	2	10	12	60	57450		×	B1	B5	×	S2		M0	×		22	25	T	E	III	14	4	18	12	8	N16

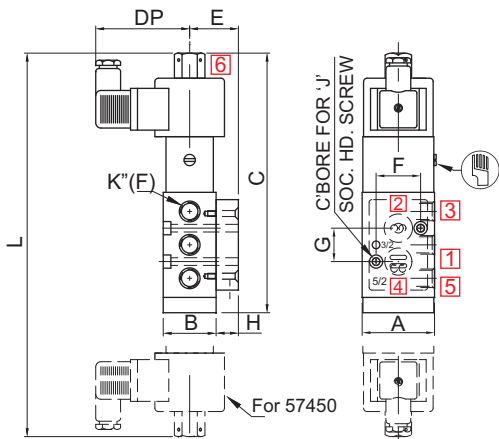
Cable Entry T E ※ = Do not specify when opted for Refer Page # 22 for Value of ※
M20 x 1.5 19 39
1/2" NPT 16 37

ORDERING CODE, EXAMPLE VALVE + SOLENOID

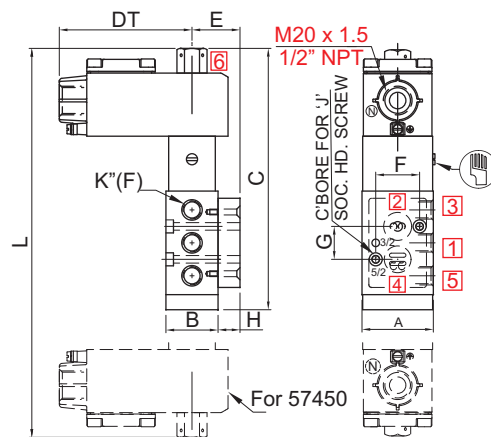
TYPE - SUFFIX - ORIFICE - PORT CONNECTION - BODY AND INTERNALS - MANUAL OVERRIDE - SEAL + SIZE - VOLTAGE - CURRENT - SOLENOID ENCLOSURE - APPROVAL - INSULATION - SPECIAL VERSION
e.g. 57450-12-4G+110V DC-39

DIMENSIONS

All Dimensions are in mm



PLUG IN SOLENOID TYPE 22/ 25



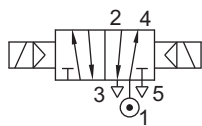
TERMINAL BOX/ Ex d/ LARGE ENCLOSURE, TYPE 16, 19, 37, 39

NW	K'' (PORT SIZE)	A	B	C	DP	DT	E	F	G	H	J	L	CONST. REF.
VALVE TYPE : 51450													
6	1/4"	53	38	191	68	97	35	32	24	16	M5	--	N15
12	1/2"	75	45	228	68	97	42.5	45	40	20	M6	--	N16
VALVE TYPE : 57450													
6	1/4"	53	38	--	68	97	35	32	24	16	M5	289	N15
12	1/2"	75	45	--	68	97	42.5	45	40	20	M6	232	N16

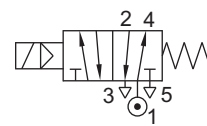


5/2, 3/2 CONVERTIBLE SPOOL TYPE, NAMUR SINGLE/ DOUBLE SOLENOID VALVE

TYPE	PRESSURE
VAD214NC	2 - 10 bar



TYPE	PRESSURE
VAD213NC	3.5 - 10 bar



FEATURES

- High flow NW 5.3, kv=10 lpm@1bar
- Avoid water/ rain splashing on the solenoid
- Best suited for indoor application



Match Slot 4 for 5/2



Match Slot 2 for 3/2



WETTED PARTS

Code	※
Body	Anodized Aluminium
Internals	Aluminium, Brass
Guide Assembly	Brass
Shadow-Ring	Copper
Plunger, Insert	SS 430
Spring	SS 302
Fasteners	SS 304
Seat, Seals	NBR

AMBIENT AND FLUID TEMPERATURE

-25 °C to 75 °C

MEDIA

Air, Inert Gases

APPLICATION

Operation of double/ single acting actuator

PORT CONNECTION

INLET	OUTLET	OUTLET	EXHAUST	EXHAUST	PILOT EXHAUST
1	2	4	3	5	6

Contact Rotex for

- Any other ambient, fluid temperature, media and application



Recommended for indoor application.
Due to PTFE sealing valve may have small leakage across the port.

SPARES

(Refer page 25 for ordering code)

SPARE KIT	CODE
Seal Kit : Oring Set and Plunger Assembly	98
Repair Kit : Oring Set, Plunger Assembly, Fastener, Springs, Manual Override	99
Solenoid Kit : Solenoid, Gasket and Nut	34

APPROVAL

(※ applied for)

Approval	Nema 4X	IP67	Ex d IIC T4 or T5 or T6 IP66	Ex ia IIC T6 IP67	DGMS	CCOE
		✓				
		✓				

5/2, 3/2 CONVERTIBLE SPOOL TYPE, NAMUR SINGLE/ DOUBLE SOLENOID VALVE

SPECIFICATION

SIZE	PORT CONNECTION		PRE-SURE bar		ORIFICE (mm)	FLOW FACTOR kv (LPM OF WATER @ 1 bar ΔP)	VALVE TYPE	PILOT PRESSURE	BODY MATERIAL AND INTERNALS				SEALS				MANUAL OVERRIDE		SOLENOID ENCLOSURE		OUTLET PORT	POWER VA		CONSTRUCTION REFERENCE NUMBER	
	BSP(F)	NPT(F)	MINIMUM	MAXIMUM					ALUMINIUM	ALUMINIUM + SS	BRASS (STD. PORT NPT)	SS 316/CF8M (STD. PORT NPT)	NBR	Viton	EPDM	PTFE	NIL	STAYPUT CUM MOMENTARY	MOMENTARY	FLYING LEAD		PLUG IN, IP67	SQ. PLUG IN, IP67		TERMINAL BOX IP67
5/2, 3/2 CONVERTIBLE SINGLE SOLENOID																									
1/4"	2G	2R	3.5	10	5	10	VAD213NC	*	*	*	*	*	*	*	*	*	*	*	*	8	2	12	6	5	N20
5/2, 3/2 CONVERTIBLE DOUBLE SOLENOID																									
1/4"	2G	2R	2	10	5	10	VAD214NC	*	*	*	*	*	*	*	*	*	*	*	*	8	2	12	6	5	N20

* = Do not specify when opted for Refer Page # 22 for Value of *

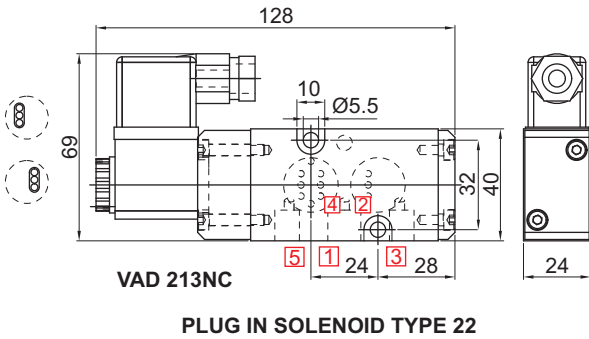
ORDERING CODE, EXAMPLE VALVE + SOLENOID

TYPE - ORIFICE - PORT CONNECTION - BODY AND INTERNALS - MANUAL OVERRIDE - SEAL + VOLTAGE - CURRENT - SOLENOID ENCLOSURE - INSULATION
 e.g. VAD213NC+24V DC

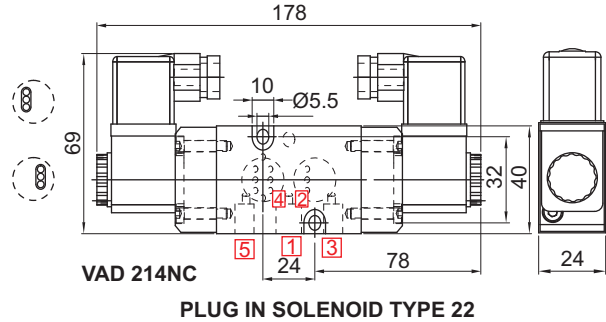
DIMENSIONS

All Dimensions are in mm

CONSTRUCTION REFERENCE N19

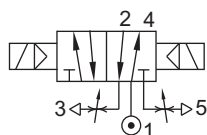


CONSTRUCTION REFERENCE N20

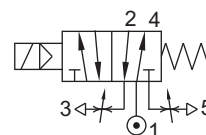


5/2, 3/2 CONVERTIBLE WITH INTEGRAL FLOW CONTROL, NAMUR SOLENOID VALVE

TYPE	PRESSURE
VAD214NCFC	2 - 10 bar



TYPE	PRESSURE
VAD213NCFC	3.5 - 10 bar



SINGLE/ DOUBLE SOLENOID VALVE

FEATURES

- High flow NW 5.3, kv=10 lpm@1bar
- Best suited for indoor application
- Best suited where speed regulation is desired
- Avoid rain/ water splashing on the solenoid



Match Slot 4 for 5/2



Match Slot 2 for 3/2



WETTED PARTS

Code	※
Body	Anodized Aluminium
Internals	Aluminium, Brass
Guide Assembly	Brass
Shadow-Ring	Copper
Plunger, Insert	SS 430
Spring	SS 302
Fasteners	SS 304
Seat, Seals	NBR

AMBIENT AND FLUID TEMPERATURE

-25 °C to 75 °C

MEDIA

Air, Inert Gases

APPLICATION

Operation of double/ single acting/ actuator

PORT CONNECTION

INLET	OUTLET	OUTLET	EXHAUST	EXHAUST	PILOT EXHAUST
1	2	4	3	5	6

SPARES

(Refer page 25 for ordering code)

SPARE KIT	CODE
Seal Kit : Oring Set and Plunger Assembly	98
Repair Kit : Oring Set, Plunger Assembly, Fastener, Springs, Manual Override	99
Solenoid Kit : Solenoid, Gasket and Nut	34

APPROVAL

(* applied for)

Approval	Nema 4X	IP67	Ex d IIC T4 or T5 or T6 IP66	Ex ia IIC T6 IP67	DGMS	CCOE
		✓				
		✓				

Contact Rotex for

- Any other ambient, fluid temperature, media and application



Recommended for indoor application.
Due to PTFE sealing valve may have small leakage across the port.

5/2, 3/2 CONVERTIBLE SPOOL TYPE, WITH INTEGRAL FLOW CONTROL , SOLENOID NAMUR

SPECIFICATION

SIZE	PORT CONNECTION		PRE-SURE bar		ORIFICE (mm)	FLOW FACTOR kv (LPM OF WATER @ 1 bar ΔP)	VALVE TYPE	BODY MATERIAL AND INTERNALS				SEALS				MANUAL OVERRIDE		SOLENOID ENCLOSURE		OUTLET PORT	POWER VA		CONSTRUCTION REFERENCE NUMBER			
	BSP(F)	NPT(F)	MINIMUM	MAXIMUM				ALUMINIUM	ALUMINIUM + SS	BRASS (STD. PORT NPT)	SS 316/CF8M (STD. PORT NPT)	NBR	Viton	EPDM	PTFE	NIL	STAYPUT CUM MOMENTARY	MOMENTARY	FLYING LEAD		PLUG IN, IP67	SQ. PLUG IN, IP67		TERMINAL BOX IP67	FPJB Ex d IIC, T4 OR T6, IP67	LARGE ENCLOSURE
5/2, 3/2 CONVERTIBLE SINGLE SOLENOID																										
1/4"	2G	2R	3.5	10	5	10	VAD213NCFC	*				*			*						8	2	18	12	8	N21
5/2, 3/2 CONVERTIBLE DOUBLE SOLENOID																										
1/4"	2G	2R	2.0	10	5	10	VAD214NCFC	*				*			*						8	2	18	12	8	N22

* = Do not specify when opted for Refer Page # 22 for Value of *

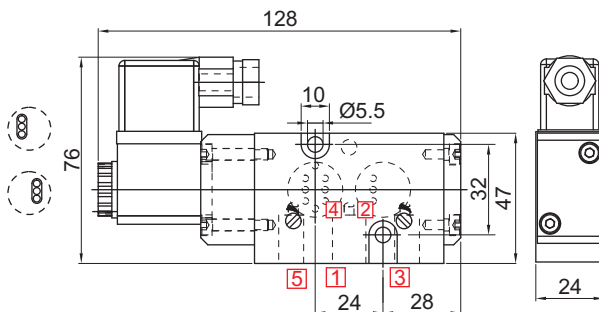
ORDERING CODE, EXAMPLE VALVE + SOLENOID

TYPE - ORIFICE - PORT CONNECTION - BODY AND INTERNALS - MANUAL OVERRIDE - SEAL + VOLTAGE - CURRENT - SOLENOID ENCLOSURE - APPROVAL - INSULATION
 e.g. VAD 213NCFC+110V AC

DIMENSIONS

All Dimensions are in mm

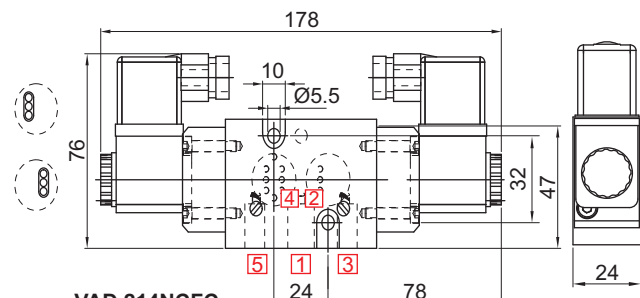
CONSTRUCTION REFERENCE N21



VAD 213NCFC

PLUG IN SOLENOID TYPE 22

CONSTRUCTION REFERENCE N22



VAD 214NCFC

PLUG IN SOLENOID TYPE 22

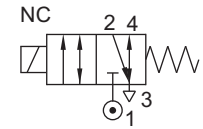
SERIES : 32D

3/2 DIRECT ACTING LOW POWER, NAMUR SOLENOID VALVE

TYPE	PRESSURE

TYPE	PRESSURE

TYPE	PRESSURE
30318LW	0 - 10 bar

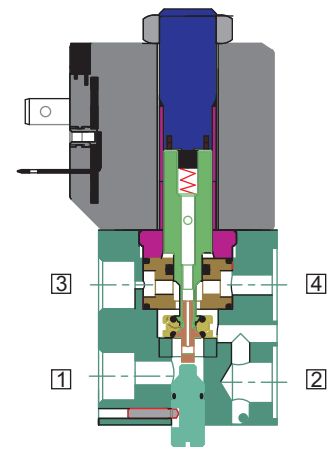


FEATURES

- Ideally suited for Spring Return Actuator
- Exhaust purged into spring chamber
- Higher flow for faster operation
- Air and power fail to return
- Non return plug fitted on the exhaust port

WETTED PARTS

Code	※	B1	B5
Body	Anodized Aluminium	Anodized Aluminium	SS 316
Internals	Aluminium, Brass and SS 316	SS 316	SS 316
Guide Assembly	SS 304		
Shadow-Ring	Copper/ Silver/ None		
Plunger, Insert	SS 430		
Spring	SS 302		
Fasteners	SS 304		
Seat, Seals	NBR, Viton, Viton GLT, F. Silicon		



AMBIENT AND FLUID TEMPERATURE

-25 °C to 75 °C

SPECIAL VERSION AND SUFFIX

Suffix : (Valve) AM, WO
 Special version : (Solenoid) CO, FR, SS

MEDIA

Air, Inert Gases

APPLICATION

Operation of single acting actuator

PORT CONNECTION

INLET	OUTLET	OUTLET	EXHAUST
1	2	4	3

Contact Rotex for

- Any other ambient, fluid temperature, media and application
- UL listed, Listed general purpose Valve
- SIL4 approved valve



For Valve type 30318LW operated with AC voltage select for in built full rectified solenoid with FR option

SPARES

(Refer page 25 for ordering code)

SPARE KIT	CODE
Seal Kit : Oring Set and Plunger Assembly	98
Repair Kit : Oring Set, Plunger Assembly, Fastener, Springs, Manual Override	99
Solenoid Kit : Solenoid, Gasket and Nut	34

APPROVAL

(* applied for)

Approval	Nema 4X	IP67	Ex d IIC T4 or T5 or T6 IP66	Ex ia IIC T6 IP67	DGMS	CCOE
		✓	✓	✓	✓	✓
CE		✓	✓	✓		
UL	✓		*			
			✓	✓		
PG			✓	✓		
			✓	✓		



3/2 DIRECT ACTING LOW POWER, NAMUR SOLENOID VALVE

SPECIFICATION

PORT CONNECTION			PRE-SSURE bar		ORIFICE (mm)	FLOW FACTOR kv (LPM OF WATER @ 1 bar ΔP)	VALVE TYPE	PILOT PRESSURE	BODY MATERIAL AND INTERNALS				SEALS			MANUAL OVERRIDE		SOLENOID ENCLOSURE			OUTLET PORT		POWER VA		CONSTRUCTION REFERENCE NUMBER		
SIZE	BSP(F)	NPT(F)	MINIMUM	MAXIMUM					ALUMINIUM	ALUMINIUM + SS	BRASS (STD. PORT NPT)	SS 316/CF8M (STD. PORT NPT)	NBR	Viton	Viton GLT	F. Silicon	NIL	STAYPUT CUM MOMENTARY	MOMENTARY	FLYING LEAD	PLUG IN, IP67	SQ. PLUG IN, IP67	TERMINAL BOX IP67	Ex d IIC, T4 OR T6, IP67		LARGE ENCLOSURE	SOLENOID SIZE
3/2 LOW POWER FOR ON/ OFF APPLICATION																											
1/4"	2G	2R	0	10	5	9	30318LW	×	B1	B5	×	S2	S2GS19	M0	×	M8			25	T	E	14	2	3.5	3.5	3.5	N23

Cable Entry	T	E	* = Do not specify when opted for Refer Page # 22 for Value of *	
M20 x 1.5	19	39		
1/2" NPT	16	37		

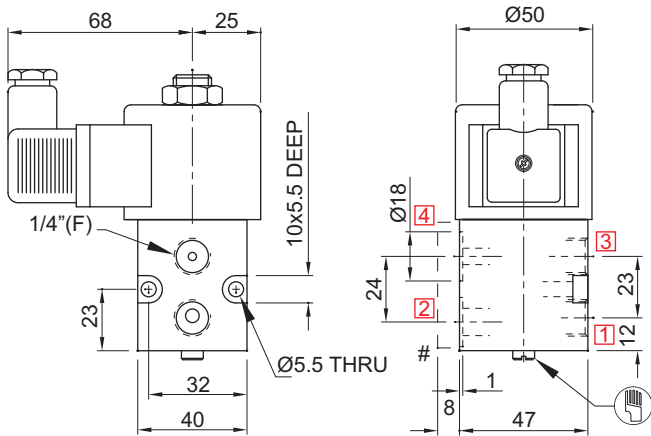
ORDERING CODE, EXAMPLE VALVE + SOLENOID

TYPE - SUFFIX - ORIFICE - PORT CONNECTION - BODY AND INTERNALS - MANUAL OVERRIDE - SEAL + VOLTAGE - CURRENT - SOLENOID ENCLOSURE - APPROVAL - INSULATION - SPECIAL VERSION
 e.g. 30318LW-5-2R-B5-S2+24V DC-16-LW 3.5

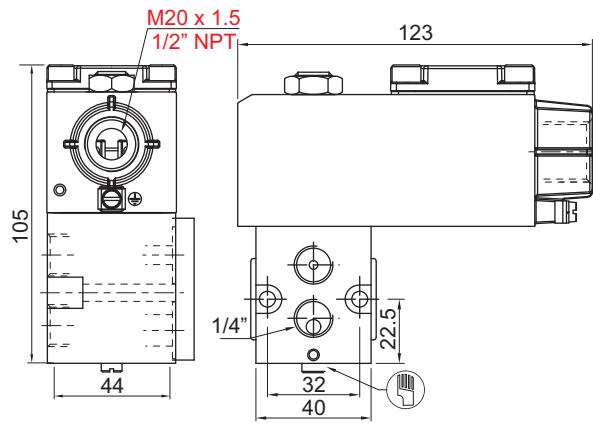
DIMENSIONS

All Dimensions are in mm

CONSTRUCTION REFERENCE N23



PLUG IN SOLENOID TYPE



TERMINAL BOX/ Ex d TYPE 16, 19, 37, 39



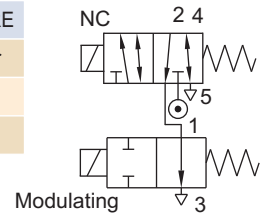
SERIES : 32D

3/2 DIRECT ACTING REGULATING, LOW POWER, NAMUR SOLENOID VALVE

TYPE	PRESSURE

TYPE	PRESSURE

TYPE	PRESSURE
30138LW	0 - 10 bar



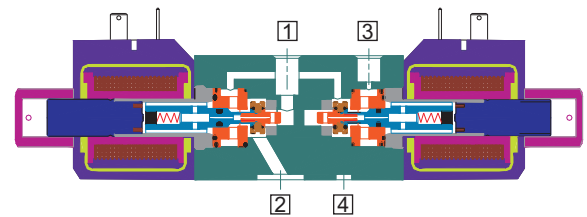
FEATURES

- Most suited for stopping spring return actuator at mid position set through limit switch
- Air or Power failure to return
- Solenoid can be operated directly or through PID Controller
- Ideal for modulating application
- Dust cap provided on the exhaust port



WETTED PARTS

Code	※	B1	B5
Body	Anodized Aluminium	Anodized Aluminium	SS 316
Internals	Aluminium, Brass and SS 316	SS 316	SS 316
Guide Assembly	SS 304		
Shadow-Ring	Copper/ Silver/ None		
Plunger, Insert	SS 430		
Spring	SS 302		
Fasteners	SS 304		
Seat, Seals	NBR, Viton, Viton GLT, F. Silicon		



AMBIENT AND FLUID TEMPERATURE

-25 °C to 75 °C

SPECIAL VERSION AND SUFFIX

Suffix : (Valve) AM, WO
 Special version : (Solenoid) CO, FR, SS, III

MEDIA

Air, Inert Gases

APPLICATION

Operation of single acting actuator

PORT CONNECTION

INLET	OUTLET	OUTLET	EXHAUST	EXHAUST
1	2	4	3	5

Contact Rotex for

- Any other ambient, fluid temperature, media and application
- UL listed, Listed general purpose Valve



For Valve type 30138 operated with AC voltage select in built full rectified solenoid with FR option

SPARES

(Refer page 25 for ordering code)

SPARE KIT	CODE
Seal Kit : Oring Set and Plunger Assembly	98
Repair Kit : Oring Set, Plunger Assembly, Fastener, Springs, Manual Override	99
Solenoid Kit : Solenoid, Gasket and Nut	34

APPROVAL

(* applied for)

Approval	Nema 4X	IP67	Ex d IIC T4 or T5 or T6 IP66	Ex ia IIC T6 IP67	DGMS	CCOE
		✓	✓	✓	✓	✓
CE		✓	✓	✓		
UL	✓		*			
			✓	✓		
			✓	✓		
			✓	✓		



3/2 DIRECT ACTING REGULATING, LOW POWER, NAMUR SOLENOID VALVE

SPECIFICATION

PORT CONNECTION			PRE-SURE bar		ORIFICE (mm)	FLOW FACTOR kv (LPM OF WATER @ 1 bar ΔP)	VALVE TYPE	PILOT PRESSURE	BODY MATERIAL AND INTERNALS			SEALS			MANUAL OVERRIDE		SOLENOID ENCLOSURE			OUTLET PORT		POWER VA		CONSTRUCTION REFERENCE NUMBER		
SIZE	BSP(F)	NPT(F)	MINIMUM	MAXIMUM					ALUMINIUM	ALUMINIUM + SS	BRASS (STD. PORT NPT)	SS 316/CF8M (STD. PORT NPT)	NBR	Viton	Viton GLT	F. Silicon	NIL	STAYPUT CUM MOMENTARY	MOMENTARY	FLYING LEAD	PLUG IN, IP67	SQ. PLUG IN, IP67	TERMINAL BOX IP67		Ex d IIC, T4 OR T6, IP67	LARGE ENCLOSURE

3/2 LOW POWER FOR REGULATING APPLICATION

1/4"	2G	2R	0	10	5	9	30138LW	*	B1	B5	*	S2	S2GS19	*					25	T	E	14	2	3.5	3.5	3.5	N24
------	----	----	---	----	---	---	---------	---	----	----	---	----	--------	---	--	--	--	--	----	---	---	----	---	-----	-----	-----	-----

Cable Entry	T	E	* = Do not specify when opted for Refer Page # 22 for Value of *	
M20 x 1.5	19	39		
1/2" NPT	16	37		

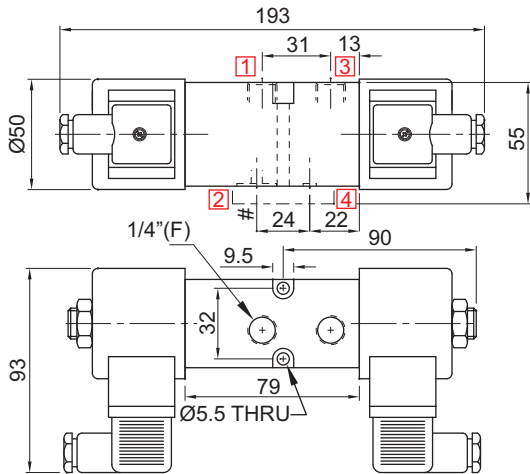
ORDERING CODE, EXAMPLE VALVE + SOLENOID

TYPE - SUFFIX - ORIFICE - PORT CONNECTION - BODY AND INTERNALS - MANUAL OVERRIDE - SEAL + SIZE - VOLTAGE - CURRENT - SOLENOID ENCLOSURE - APPROVAL - INSULATION - SPECIAL VERSION
 e.g. 30138LW-5-2R+220VAC-16-FR-LW3.5

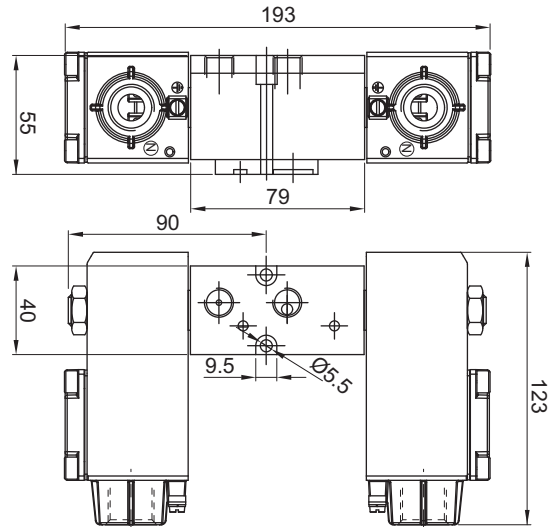
DIMENSIONS

All Dimensions are in mm

CONSTRUCTION REFERENCE N24



PLUG IN SOLENOID TYPE 25



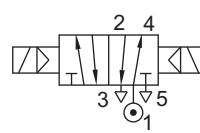
TERMINAL BOX/ Ex d TYPE 16, 19, 37, 39

SERIES : 52S

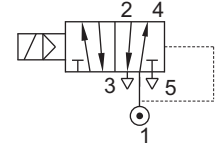
5/2, 3/2 CONVERTIBLE LOW POWER, NAMUR SOLENOID VALVE

TYPE	PRESSURE

TYPE	PRESSURE
57450LW	2 - 10 bar



TYPE	PRESSURE
51450LW	2 - 10 bar



FEATURES

- Ideally suited where speed control by blocking exhaust is desired
- Power fail to reset
- Non return plug provided on the exhaust port
- In 3/2 mode exhaust purged to spring chamber



Match Slot to 5 for 5/2

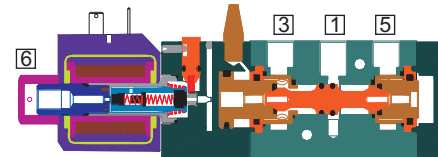
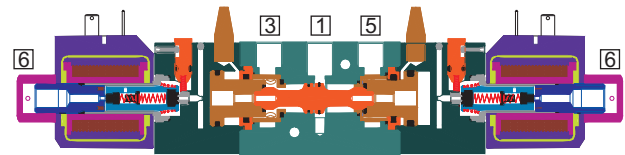


Match Slot to 3 for 3/2



WETTED PARTS

Code	※	B1	B5
Body	Anodized Aluminium	Anodized Aluminium	SS 316
Internals	Aluminium, Brass and SS 316	SS 316	SS 316
Guide Assembly	SS 304		
Shadow-Ring	Copper/ Silver/ None		
Plunger, Insert	SS 430		
Spring	SS 302		
Fasteners	SS 304		
Seat, Seals	NBR, Viton		



AMBIENT AND FLUID TEMPERATURE

-25 °C to 75 °C

SPECIAL VERSION AND SUFFIX

Suffix : (Valve) AM, WO
Special version : (Solenoid) CO, FR, SS

MEDIA

Air, Inert Gases

APPLICATION

Operation of double/ single acting actuator

PORT CONNECTION

INLET	OUTLET	OUTLET	EXHAUST	EXHAUST	PILOT EXHAUST
1	2	4	3	5	6

Contact Rotex for

- Any other ambient, fluid temperature, media and application
- UL listed, Listed general purpose Valve
- SIL4 approved valve



SPARES

(Refer page 25 for ordering code)

SPARE KIT	CODE
Seal Kit : Oring Set and Plunger Assembly	98
Repair Kit : Oring Set, Plunger Assembly, Fastener, Springs, Manual Override	99
Solenoid Kit : Solenoid, Gasket and Nut	34

APPROVAL

(★ applied for)

Approval	Nema 4X	IP67	Ex d IIC T4 or T5 or T6 IP66	Ex ia IIC T6 IP67	DCMS	CCOE
		✓	✓	✓	✓	✓
		✓	✓	✓		
	✓		*			
			✓	✓		
			✓	✓		
			✓	✓		



5/2, 3/2 CONVERTIBLE LOW POWER, NAMUR SOLENOID VALVE

SPECIFICATION

SIZE	PORT CONNECTION		PRE-SURE bar		ORIFICE (mm)	FLOW FACTOR kv (LPM OF WATER @ 1 bar ΔP)	VALVE TYPE	PILOT PRESSURE	BODY MATERIAL AND INTERNALS			SEALS			MANUAL OVERRIDE		SOLENOID ENCLOSURE				OUTLET PORT	POWER VA			CONSTRUCTION REFERENCE NUMBER				
	BSP(F)	NPT(F)	MINIMUM	MAXIMUM					ALUMINIUM	ALUMINIUM + SS	BRASS (STD. PORT NPT)	NBR	Viton	EPDM	F. Silicon	NIL	STAYPUT CUM MOMENTARY	MOMENTARY	WEATHER PROOF	EXPLOSION PROOF		FLYING LEAD	PLUG IN, IP67	SQ. PLUG IN, IP67		TERMINAL BOX IP67	Ex d IIC, T4 OR T6, IP67	LARGE ENCLOSURE	SOLENOID SIZE
5/2, 3/2 CONVERTIBLE SINGLE SOLENOID																													
1/4"	2G	2R	2	10	6	18	51450LW	×	B1	B5	×	S2		M0	×	M8	25	T	E	14	2	2	2	2	2	2	2	2	N25
1/2"	4G	4R	2	10	12	60	51450LW	×	B1	B5	×	S2		M0	×	M8	25	T	E	14	4	2	2	2	2	2	2	2	N26
5/2, 3/2 CONVERTIBLE DOUBLE SOLENOID																													
1/4"	2G	2R	2	10	6	18	57450LW	×	B1	B5	×	S2		M0	×		25	T	E	14	2	2	2	2	2	2	2	2	N25
1/2"	4G	4R	2	10	12	60	57450LW	×	B1	B5	×	S2		M0	×		25	T	E	14	4	2	2	2	2	2	2	2	N26

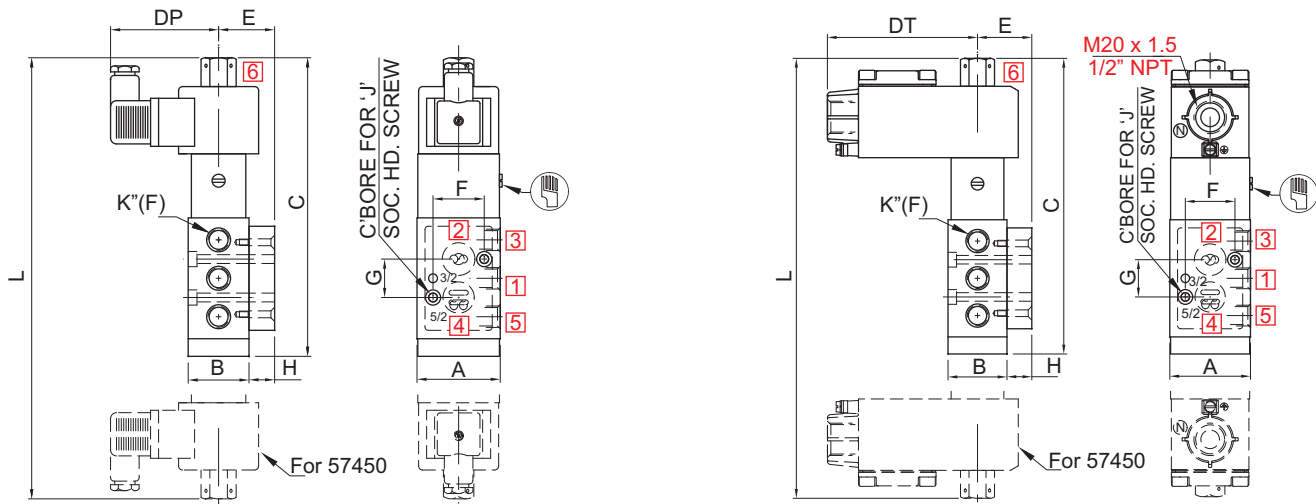
Cable Entry	T	E	×	= Do not specify when opted for Refer Page # 22 for Value of ×
M20 x 1.5	19	39		
1/2" NPT	16	37		

ORDERING CODE, EXAMPLE VALVE + SOLENOID

TYPE - SUFFIX - ORIFICE - PORT CONNECTION - BODY AND INTERNALS - MANUAL OVERRIDE - SEAL + SIZE - VOLTAGE - CURRENT - SOLENOID ENCLOSURE - APPROVAL - INSULATION - SPECIAL VERSION
 e.g. 57450-12-4G+24V DC-25-LW2

DIMENSIONS

All Dimensions are in mm



PLUG IN SOLENOID TYPE 25

TERMINAL BOX/ Ex d TYPE 16, 19, 37, 39

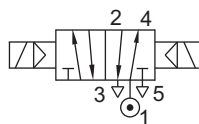
NW	K" (PORT SIZE)	A	B	C	DP	DT	E	F	G	H	J	L	CONST. REF.
VALVE TYPE : 51450													
6	1/4"	53	38	191	68	97	35	32	24	16	M5	--	N25
12	1/2"	75	45	228	68	97	42.5	45	40	20	M6	--	N26
VALVE TYPE : 57450													
6	1/4"	53	38	--	68	97	35	32	24	16	M5	289	N25
12	1/2"	75	45	--	68	97	42.5	45	40	20	M6	232	N26



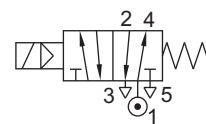
5/2, 3/2 CONVERTIBLE INTRINSICALLY SAFE, NAMUR SOLENOID VALVE

TYPE	PRESSURE

TYPE	PRESSURE



TYPE	PRESSURE
51442IS	2 - 8 bar



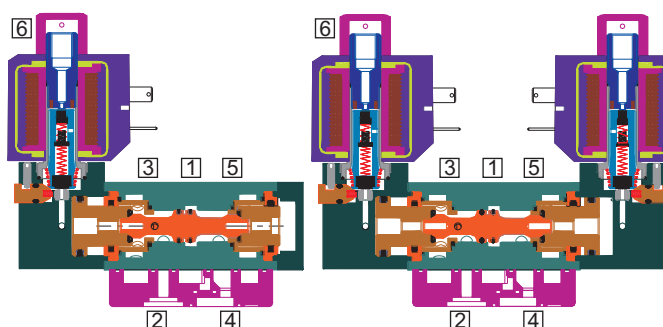
FEATURES

- This valve is same as 51424 except for coil orientation
- Ideally suited for dusty out door application
- Best suited for low power solenoid or IS coil with circuit
- Dust cap fitted on exhaust port



WETTED PARTS

Code	※	B1	B5
Body	Anodized Aluminium	Anodized Aluminium	SS 316
Internals	Aluminium, Brass and SS 316	SS 316	SS 316
Guide Assembly	SS 304		
Shadow-Ring	Copper/ Silver/ None		
Plunger, Insert	SS 430		
Spring	SS 302		
Fasteners	SS 304		
Seat, Seals	NBR, Viton		



AMBIENT AND FLUID TEMPERATURE

-25 °C to 75 °C

SPECIAL VERSION AND SUFFIX

Suffix : (Valve) AM, WO
Special version : (Solenoid) CO

MEDIA

Air, Inert Gases, Water, Oil

APPLICATION

Operation of double/ single acting actuator

PORT CONNECTION

INLET	OUTLET	OUTLET	EXHAUST	EXHAUST	PILOT EXHAUST
1	2	4	3	5	6

Contact Rotex for

- Any other ambient, fluid temperature, media and application
- UL listed, Listed general purpose Valve
- SIL4 approved valve



SPARES

(Refer page 25 for ordering code)

SPARE KIT	CODE
Seal Kit : Oring Set and Plunger Assembly	98
Repair Kit : Oring Set, Plunger Assembly, Fastener, Springs, Manual Override	99
Solenoid Kit : Solenoid, Gasket and Nut	34

APPROVAL

(★ applied for)

Approval	Nema 4X	IP67	Ex d IIC T4 or T5 or T6 IP66	Ex ia IIC T6 IP67	DGMS	CCOE
		✓	✓	✓	✓	✓
CE		✓	✓	✓		
UL	✓		*			
			✓	✓		
			✓	✓		
			✓	✓		

11



5/2, 3/2 CONVERTIBLE INTRINSICALLY SAFE, NAMUR SOLENOID VALVE

SPECIFICATION

PORT CONNECTION		PRE-SSURE bar		ORIFICE (mm)	FLOW FACTOR kv (LPM OF WATER @ 1 bar ΔP)	VALVE TYPE	PILOT PRESSURE	BODY MATERIAL AND INTERNALS				SEALS			MANUAL OVERRIDE		SOLENOID ENCLOSURE EXPLOSION PROOF Ex ia IIC T6, IP67			OUTLET PORT		POWER VA		CONSTRUCTION REFERENCE NUMBER
SIZE	BSP(F) NPT(F)	MINIMUM	MAXIMUM					ALUMINIUM	ALUMINIUM + SS	BRASS (STD. PORT NPT)	SS 316/CF8M (STD. PORT NPT)	NBR	Viton	EPDM	PTFE	NIL	STAYPUT CUM MOMENTARY	MOMENTARY	LOW POWER IS PLUG IN, IP67	LOW POWER IS TERMINAL BOX IP67	Low Power IS FPJB Ex d	IS Coil With Circuit Ex ia (d) IIC T6, IP67	SOLENOID SIZE	

5/2, 3/2 CONVERTIBLE SINGLE SOLENOID

1/4"	2G	2R	2	8	6	18	51442IS	×	B1	B5	×	S2	M0	×	M8	65CR	T	E	13	2			0.3	N27
1/2"	4G	4R	2	8	12	60	51442IS	×	B1	B5	×	S2	M0	×	M8	65CR	T	E	13	4			0.3	N28

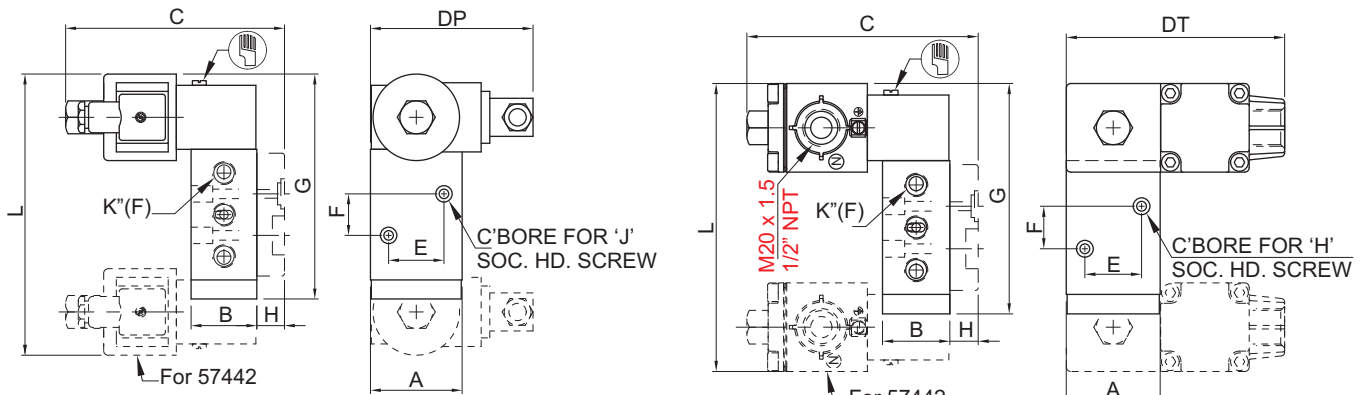
Cable Entry	T	E	※ = Do not specify when opted for Refer Page # 22 for Value of ※	
M20 x 1.5	68	73		
1/2" NPT	67	72		

ORDERING CODE, EXAMPLE VALVE + SOLENOID

TYPE - SUFFIX - ORIFICE - PORT CONNECTION - BODY AND INTERNALS - MANUAL OVERRIDE - SEAL + VOLTAGE - CURRENT - SOLENOID ENCLOSURE - APPROVAL - INSULATION - SPECIAL VERSION
 e.g. 57442IS-6-2G- B5 + 24V DC - 65CR.

DIMENSIONS

All Dimensions are in mm



PLUG IN SOLENOID TYPE 65CR

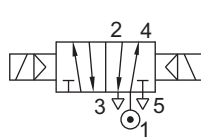
TERMINAL BOX/ Ex d TYPE 67, 68, 72, 73

NW	K" (PORT SIZE)	A	B	C	DP	DT	E	F	G	H	J	L	CONST. REF.
VALVE TYPE : 51442 IS													
6	1/4"	53	38	130	94	123	32	24	130	16	M4	--	N27
12	1/2"	75	45	188	105	134	45	40	174	20	M6	--	N28
VALVE TYPE : 57442 IS													

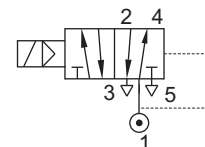
5/2, 3/2 CONVERTIBLE INTRINSICALLY SAFE, NAMUR SOLENOID VALVE

TYPE	PRESSURE

TYPE	PRESSURE
57450IS	2 - 8 bar



TYPE	PRESSURE
51450IS	2 - 8 bar



FEATURES

- Ideally suited where speed control by blocking exhaust is desired
- Power fail to reset
- Non return plug provided on the exhaust port
- In 3/2 mode exhaust purged to spring chamber



Match Slot to 5 for 5/2

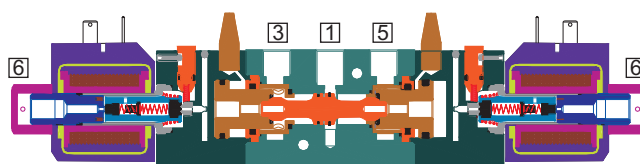


Match Slot to 3 for 3/2



WETTED PARTS

Code	※	B1	B5
Body	Anodized Aluminium	Anodized Aluminium	SS 316
Internals	Aluminium, Brass and SS 316	SS 316	SS 316
Guide Assembly	SS 304		
Shadow-Ring	Copper/ Silver/ None		
Plunger, Insert	SS 430		
Spring	SS 302		
Fasteners	SS 304		
Seat, Seals	NBR, Viton		



AMBIENT AND FLUID TEMPERATURE

-25 °C to 75 °C

SPECIAL VERSION AND SUFFIX

Suffix : (Valve) AM, WO
Special version : (Solenoid) CO

MEDIA

Air, Inert Gases, Water, Oil

APPLICATION

Operation of double/ single acting/ actuator

PORT CONNECTION

INLET	OUTLET	OUTLET	EXHAUST	EXHAUST	PILOT EXHAUST
1	2	4	3	5	6

Contact Rotex for

- Any other ambient, fluid temperature, media and application
- UL listed, Listed general purpose Valve
- SIL4 approved valve



SPARES

(Refer page 25 for ordering code)

SPARE KIT	CODE
Seal Kit : Oring Set and Plunger Assembly	98
Repair Kit : Oring Set, Plunger Assembly, Fastener, Springs, Manual Override	99
Solenoid Kit : Solenoid, Gasket and Nut	34

APPROVAL

(★ applied for)

Approval	Nema 4X	IP67	Ex d IIC T4 or T5 or T6 IP66	Ex ia IIC T6 IP67	DGMS	CCOE
		✓	✓	✓	✓	✓
CE		✓	✓	✓		
UL	✓		*			
			✓	✓		
PG			✓	✓		
			✓	✓		

5/2, 3/2 CONVERTIBLE INTRINSICALLY SAFE, NAMUR SOLENOID VALVE

SPECIFICATION

SIZE	PORT CONNECTION		PRE-SURE bar		ORIFICE (mm)	FLOW FACTOR kv (LPM OF WATER @ 1 bar ΔP)	VALVE TYPE	PILOT PRESSURE	BODY MATERIAL AND INTERNALS			SEALS			MANUAL OVERRIDE		SOLENOID ENCLOSURE EXPLOSION PROOF Ex ia IIC, T6, IP67			OUTLET PORT	POWER VA		CONSTRUCTION REFERENCE NUMBER		
	BSP(F)	NPT(F)	MINIMUM	MAXIMUM					ALUMINIUM	ALUMINIUM + SS	BRASS (STD. PORT NPT)	SS 316/CF8M (STD. PORT NPT)	NBR	Viton	EPDM	F. Silicon	NIL	STAYPUT CUM MOMENTARY	MOMENTARY		LOW POWER IS PLUG IN, IP67	LOW POWER IS TERMINAL BOX IP67		Low Power IS FPJIB Ex d	IS Coil With Circuit Ex ia (d) IIC T6, IP67
5/2, 3/2 CONVERTIBLE SINGLE SOLENOID																									
1/4"	2G	2R	2	8	6	18	51450IS	×	B1	B5	×	S2		M0	×	M8	65CR	T	E		13	2		0.3	N29
1/2"	4G	4R	2	8	12	60	51450IS	×	B1	B5	×	S2		M0	×	M8	65CR	T	E		13	4		0.3	N30
5/2, 3/2 CONVERTIBLE DOUBLE SOLENOID																									
1/4"	2G	2R	2	8	6	18	57450IS	×	B1	B5	×	S2		M0	×		65CR	T	E		13	2		0.3	N29
1/2"	4G	4R	2	8	12	60	57450IS	×	B1	B5	×	S2		M0	×		65CR	T	E		13	4		0.3	N30

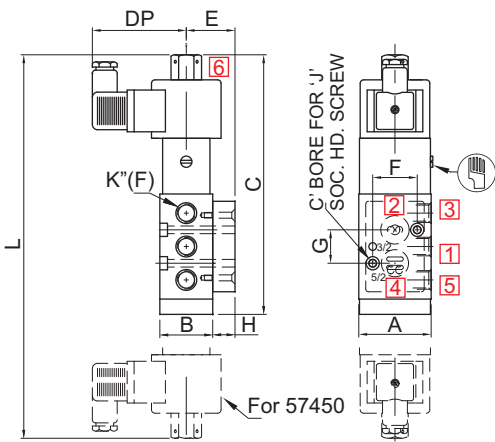
Cable Entry T E × = Do not specify when opted for Refer Page # 22 for Value of ×
M20 x 1.5 68 73 ✓ = Options available
1/2" NPT 67 72

ORDERING CODE, EXAMPLE VALVE + SOLENOID

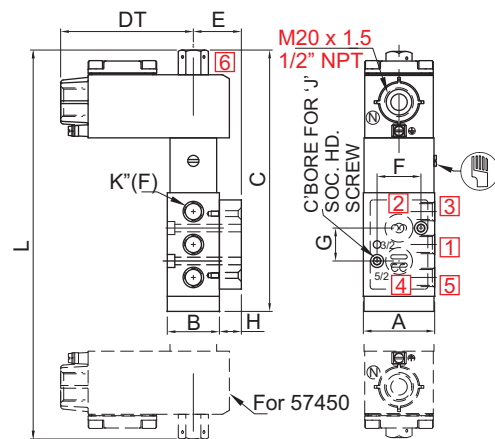
TYPE - SUFFIX - ORIFICE - PORT CONNECTION - BODY AND INTERNALS - MANUAL OVERRIDE - SEAL + SIZE - VOLTAGE - CURRENT - SOLENOID ENCLOSURE - APPROVAL - INSULATION - SPECIAL VERSION
e.g. 51450IS-6-2R-B5+24V DC-68

DIMENSIONS

All Dimensions are in mm



PLUG IN SOLENOID TYPE 25

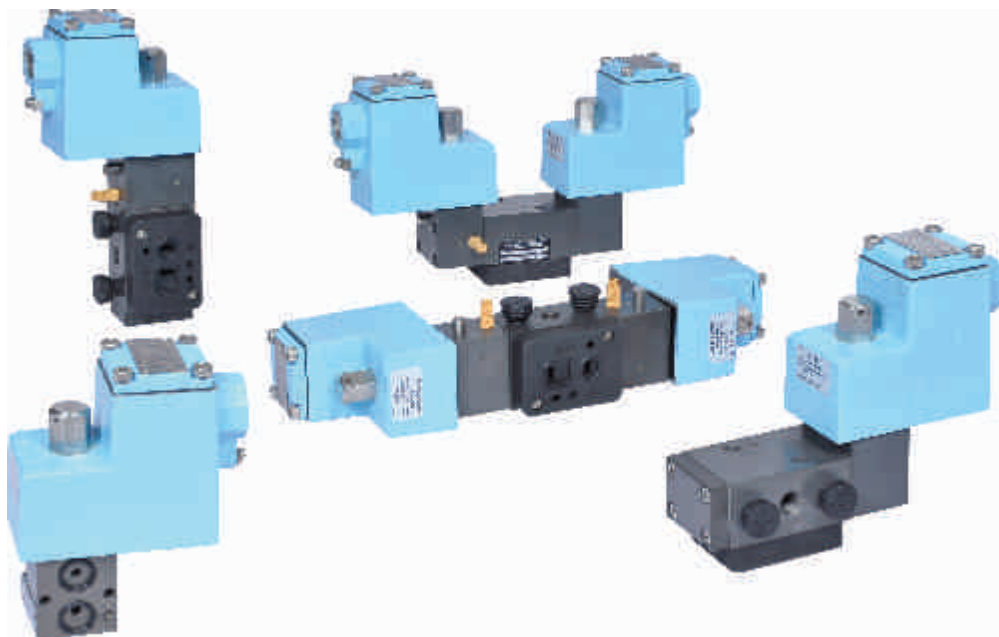


TERMINAL BOX/ Ex d TYPE 16, 19, 37, 39

NW	K" (PORT SIZE)	A	B	C	DP	DT	E	F	G	H	J	L	CONST. REF.
VALVE TYPE : 51450													
6	1/4"	53	38	191	68	97	35	32	24	16	M5	--	N29
12	1/2"	75	45	228	68	97	42.5	45	40	20	M6	--	N30
VALVE TYPE : 57450													
6	1/4"	53	38	--	68	97	35	32	24	16	M5	289	N29
12	1/2"	75	45	--	68	97	42.5	45	40	20	M6	232	N30



5/2, 3/2, CONVERTIBLE INTRINSICALLY SAFE, NAMUR SOLENOID VALVE



FEATURES

- Ideally suited where speed control by blocking exhaust is desired
- Power fail to reset
- Non return plug provided on the exhaust port
- In 3/2 mode exhaust purged to spring chamber

AMBIENT TEMPERATURE

-20 °C to 70 °C

FLUID TEMPERATURE

-20 °C to 70 °C

MEDIA

Air, Inert Gases, Water, Oil

APPLICATION

Operation of double/ single acting actuator

SPECIAL VERSION AND SUFFIX

Suffix : (Valve) AM, WO

Special version : (Solenoid) CO Regulating

PORT CONNECTION

TYPE	ACTION	INLET	OUTLET	OUTLET	EXHAUST	EXHAUST	PILOT EXHAUST
LOW POWER SOLENOID VALVE							
30106	NC	1	2	4	3		
51442	Single	1	2	4	3	5	6
51450	Single	1	2	4	3	5	6
57442	Double	1	2	4	3	5	6
57450	Double	1	2	4	3	5	6

SPARES

(Refer page 25 for ordering code)

SPARE KIT	CODE
Seal Kit : Oring Set and Plunger Assembly	98
Repair Kit : Oring Set, Plunger Assembly, Fastener, Springs, Manual Override	99
Solenoid Kit : Solenoid, Gasket and Nut	34

APPROVAL

(* applied for)

Approval	Nema 4X	IP67	Ex d IIC T4 or T5 or T6 IP66	Ex ia IIC T6 IP67	DGMS	CCOE
		✓	✓	✓	✓	✓
CE		✓	✓	✓		
UL	✓		*			
			✓	✓		
PC			✓	✓		
			✓	✓		



Select solenoid code 63, 64



5/2, 3/2 CONVERTIBLE INTRINSICALLY SAFE, NAMUR SOLENOID VALVE

SPECIFICATION

PORT CONNECTION			PRE-SSURE bar		ORIFICE (mm)	FLOW FACTOR kv (LPM OF WATER @ 1 bar ΔP)	VALVE TYPE	PILOT PRESSURE	BODY MATERIAL AND INTERNALS					SEALS				MANUAL OVERRIDE		SOLENOID ENCLOSURE				OUTLET PORT	POWER VA		CONSTRUCTION REFERENCE NUMBER
SIZE	BSP(F)	NPT(F)	MINIMUM	MAXIMUM					ALUMINIUM	ALUMINIUM + SS	BRASS (STD. PORT NPT)	SS 316/CF8M (STD. PORT NPT)	NBR	Viton	EPDM	HYTREL	F. Silicon	NIL	STAYPUT CUM MOMENTARY	MOMENTARY	SQ. PLUG IN, IP67	TERMINAL BOX IP67	FPJB Ex d IIC, T4 OR T6, IP67		LARGE ENCLOSURE	SOLENOID SIZE	

3/2 FOR ON/ OFF APPLICATION

1/4"	2G	2R	0	16	1.6	1.6	30106	*				B5	*	S2		S19	M0	*	M8			I	14	1 or 2		0.4	N31
			0	10	1.8	1.8	30106	*				B5	*	S2		S19	M0	*	M8			I	14	1 or 2		0.4	N31
			0	8	2.2	2.5	30106	*				B5	*	S2		S19	M0	*	M8			I	14	1 or 2		0.4	N31
			0	6	2.5	3.0	30106	*				B5	*	S2		S19	M0	*	M8			I	14	1 or 2		0.4	N31

5/2, 3/2 CONVERTIBLE SINGLE SOLENOID

1/4"	2G	2R	2	10	6	18	51442	*	B1	B5	*	S2		S19	M0	*	M8				I	14	2		0.4	N33
			2	10	6	18	51450	*	B1	B5	*	S2			M0	*	M8				I	14	2		0.4	N35
1/2"	4G	4R	2	10	12	60	51442	*	B1	B5	*	S2			M0	*	M8				I	14	4		0.4	N34
			2	10	12	60	51450	*	B1	B5	*	S2			M0	*	M8				I	14	4		0.4	N36

5/2, 3/2 CONVERTIBLE DOUBLE SOLENOID

1/4"	2G	2R	2	10	6	18	57442	*	B1	B5	*	S2		S19	M0	*	*				I	14	2		0.4	N33
			2	10	6	18	57450	*	B1	B5	*	S2			M0	*	*				I	14	2		0.4	N35
1/2"	4G	4R	2	10	12	60	57442	*	B1	B5	*	S2			M0	*	*				I	14	4		0.4	N34
			2	10	12	60	57450	*	B1	B5	*	S2			M0	*	*				I	14	4		0.4	N36

Cable Entry 1 * = Do not specify when opted for Refer Page # 22 for Value of *
M20 x 1.5 64
1/2" NPT 63

11

ORDERING CODE, EXAMPLE VALVE + SOLENOID

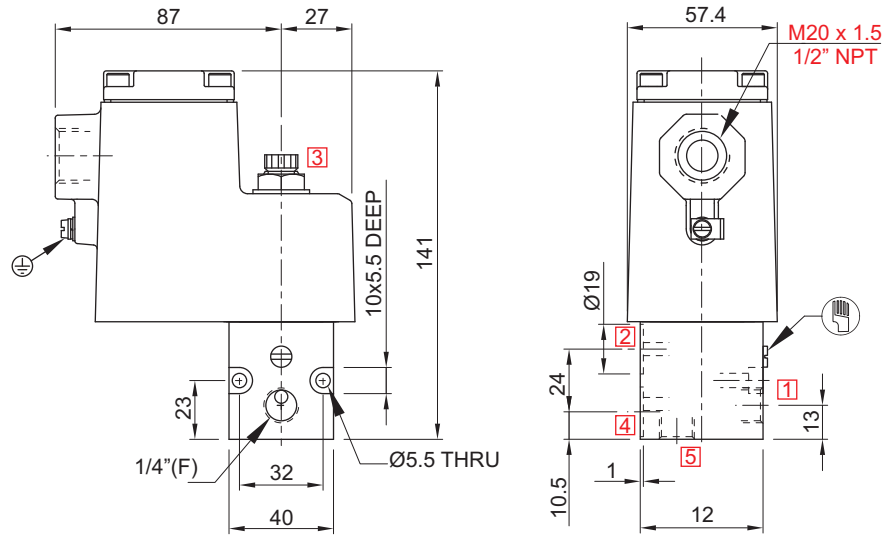
TYPE - SUFFIX - ORIFICE - PORT CONNECTION - BODY AND INTERNALS - MANUAL OVERRIDE - SEAL + VOLTAGE - CURRENT - SOLENOID ENCLOSURE - APPROVAL - INSULATION - SPECIAL VERSION
e.g. 51450-6-2R+24V DC-63-01



5/2, 3/2 CONVERTIBLE INTRINSICALLY SAFE, NAMUR SOLENOID VALVE

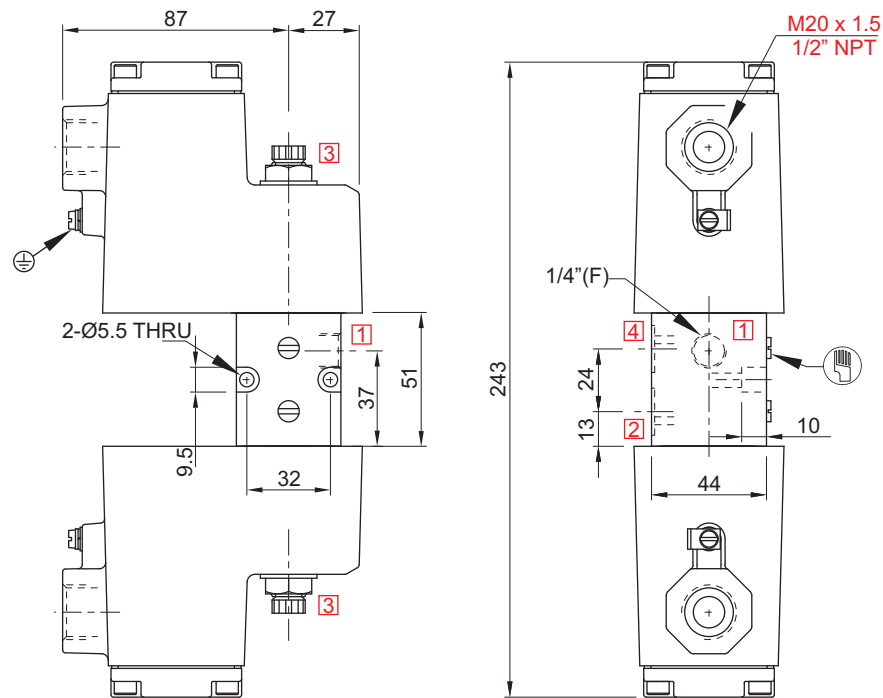
DIMENSIONS All Dimensions are in mm

CONSTRUCTION REFERENCE N31



Ex ia SOLENOID WITH BOOSTER CIRCUIT

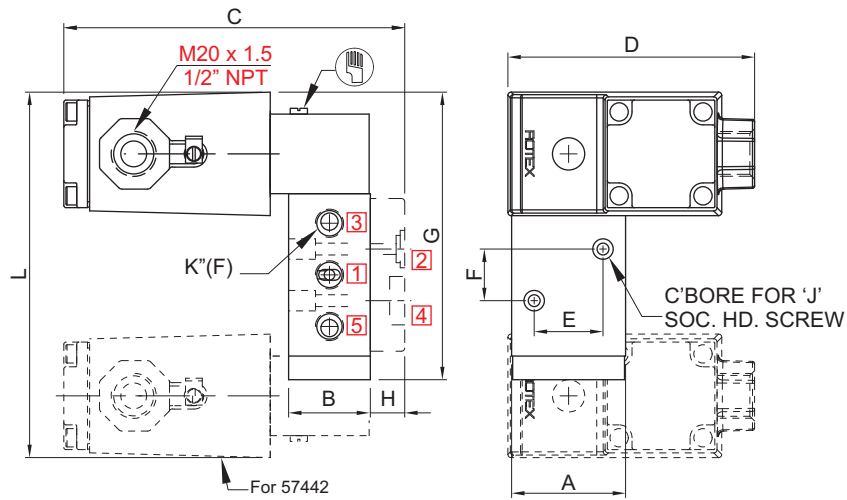
CONSTRUCTION REFERENCE N32



Ex ia SOLENOID WITH BOOSTER CIRCUIT

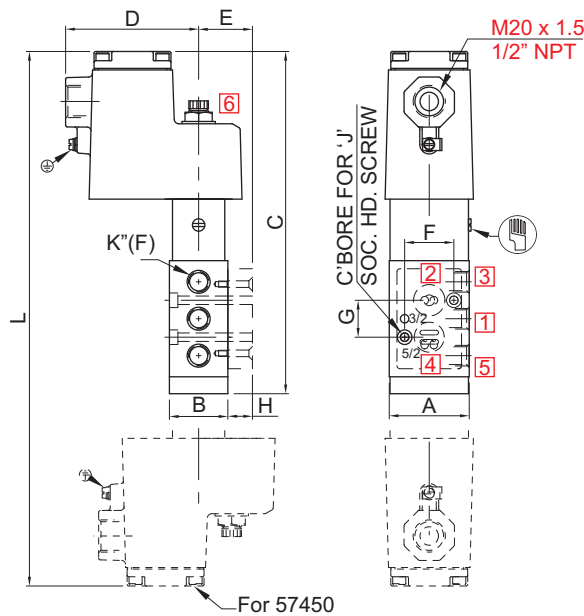


5/2, 3/2 CONVERTIBLE INTRINSICALLY SAFE, NAMUR SOLENOID VALVE



Ex ia SOLENOID WITH BOOSTER CIRCUIT

NW	K'' (PORT SIZE)	A	B	C	D	E	F	G	H	J	L	CONST. REF.
VALVE TYPE : 51442												
6	1/4"	53	38	159	139	32	24	134	16	M4	--	N33
12	1/2"	75	45	217	150	50	40	178	20	M6	--	N34
VALVE TYPE : 57442												
6	1/4"	53	38	159	139	32	24	--	16	M4	170	N33
12	1/2"	75	45	217	150	50	40	--	20	M6	228	N34



Ex ia SOLENOID WITH BOOSTER CIRCUIT

NW	K'' (PORT SIZE)	A	B	C	D	E	F	G	H	J	L	CONST. REF.
VALVE TYPE : 51450												
6	1/4"	53	38	234	87	35	32	24	16	M5	--	N35
12	1/2"	75	45	242	87	42.5	50	24	20	M6	--	N36
VALVE TYPE : 57450												
6	1/4"	53	38	--	87	35	32	24	16	M5	350	N35
12	1/2"	75	45	--	87	42.5	50	24	20	M6	352	N36



SELECTION GUIDE : SEALS

ROTEX offers variety of solution in seals for various applications. The seals are to be selected on the basis of their compatibility to media., temperature and pressure etc. Seal material will be generally selected by Rotex depending upon media, media pressure and temperature. For best results, it will be better to consult Rotex

(1) NBR (Buna-N, Nitrile etc.)

Fitted as a standard in ROTEX products

Suitable for all general application up to a ambient/ media temperature of -25 °C to 75 °C

(2) EPDM (Ethylene Propylene Di-Methyl) (S1)

Excellent for Nuclear applications, especially for exposure to Radiation. (GRADE R13)

Moderate corrosion resistance

Excellent shelf life

Ideal for high temperature air, water and steam up to -60 °C to 140 °C

(3) Viton (S2)

Ideal for high temperature media/ environment

Ideal for corrosive applications

Excellent shelf life

Media temperature up to -20 °C to 160 °C

(4) NEOPRENE (S3)

Ideal for use with oils

Good shelf life

Suitable for refrigerant application

Should be opted for hydro carbon media

Media temperature -40°C to 100 °C

(5) F.SILICON (S19)

Ideal for high temperature

Good for medical application

Good corrosion resistance

Media Temperature up to -70 °C to 190 °C

(6) PTFE (S4)

Ideal for most media

Do not use as a standard unless application really calls for PTFE

Nearly unlimited shelf life

Not recommended for Radiation Exposure

Media temperature up to -70 °C to 200 °C

(7) SAPPHIRE (S6)

Excellent corrosion resistance

Ideal for high temperature up to 350 °C

Selected for service temperature above -196 °C + 350 °C

ROTEX valve can be provided with seat and seal material other than listed above.

(8) Viton GLT (S2G)

Ideal for high temperature media/ environment

Ideal for corrosive applications

Excellent shelf life

Media temperature up to -40 °C to 160 °C

(9) Hytrel (S11)

Used for replacing NBR diaphragm.

Excellent Resistance to most Chemicals and provides long life.

Media temperature up to 0 °C to 85 °C