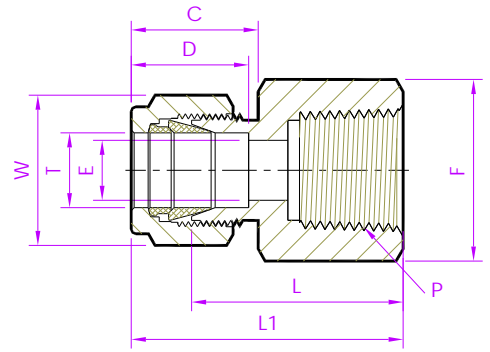


- Tube Fitting (Double Ferrule)-  
Tube To Female Pipe Thread



# Female Connector

## Metric Tube x ISO Tapered (F)

Tubefit Part No.	Equivalent Part No. Type 1	Equivalent Part No. Type 2	TUBE	ISO	ØE	D	C	L	L1	Body Hex F	Nut Hex W
			OD Ø T	Female Pipe Size P							
6M - FCD - 4IT	- 6MO - 7 - 4RT	M6FSC1/4K	6	1/4	4.8	15.3	17.7	28.4	35.8	19	14.2
6M - FCD - 6IT	- 6MO - 7 - 6RT	M6FSC3/8K		3/8	4.8			30.2	37.6	22	
6M - FCD - 8IT	- 6MO - 7 - 8RT	M6FSC1/2K		1/2	4.8			35.1	42.5	27	
8M - FCD - 4IT	- 8MO - 7 - 4RT	M8FSC1/4K	8	1/4	6.4	16.2	18.6	29.5	37.0	19	16
8M - FCD - 6IT	- 8MO - 7 - 6RT	M8FSC3/8K		3/8	6.4			31.0	38.5	22	
8M - FCD - 8IT	- 8MO - 7 - 8RT	M8FSC1/2K		1/2	6.4			35.8	43.3	27	
10M - FCD - 4IT	- 10MO - 7 - 4RT	M10FSC1/4K	10	1/4	7.9	17.2	19.5	30.2	37.8	19	19
10M - FCD - 6IT	- 10MO - 7 - 6RT	M10FSC3/8K		3/8	7.9			31.8	39.4	22	
10M - FCD - 8IT	- 10MO - 7 - 8RT	M10FSC1/2K		1/2	7.9			36.6	44.2	27	
12M - FCD - 4IT	- 12MO - 7 - 4RT	M12FSC1/4K	12	1/4	9.5	22.8	22.0	30.2	40.3	22	22.2
12M - FCD - 6IT	- 12MO - 7 - 6RT	M12FSC3/8K		3/8	9.5			31.8	41.9	22	
12M - FCD - 8IT	- 12MO - 7 - 8RT	-----		1/2	9.5			36.6	46.7	27	
12M - FCD - 12IT	- 12MO - 7 - 12RT	-----		3/4	9.5			38.9	49.0	35	
15M - FCD - 6IT	- 15MO - 7 - 6RT	-----	15	3/8	11.9	24.4	22.0	31.8	41.9	24	25.4
15M - FCD - 8IT	- 15MO - 7 - 8RT	-----		1/2	11.9			36.6	46.7	27	
16M - FCD - 8IT	- 16MO - 7 - 8RT	M16FSC1/2K	16	1/2	11.9	24.4	22.0	38.3	48.4	18	25.4
20M - FCD - 8IT	- 20MO - 7 - 8RT	M20FSC1/2K	20	1/2	15.9	26.0	22.0	37.8	47.9	30	32
20M - FCD - 12IT	- 20MO - 7 - 12RT	M20FSC3/4K		3/4	15.9			39.6	49.7	35	
22M - FCD - 12IT	- 22MO - 7 - 12RT	-----	22	3/4	18.3	26.0	22.0	39.6	49.7	35	32
22M - FCD - 16IT	- 22MO - 7 - 16RT	M22FSC1K		1	18.3			56.8	57.9	41	
25M - FCD - 12IT	- 25MO - 7 - 12RT	M25FSC3/4K	25	3/4	21.8	31.3	26.5	41.1	53.4	35	38
25M - FCD - 16IT	- 25MO - 7 - 16RT	M25FSC1K		1	21.8			50.0	62.3	41	

NOTE : 1)The E Dimension is the minimum opening. 2)Dimension L1, C, D is shown in the finger-tight position.  
3)Dimensions are for reference only and are subject to change 4)ISO Tapered (BSP) thread as per BS 21.

- ALL PART NUMBERS ARE PROPRIETARY OF THEIR RESPECTIVE OWNERS. -