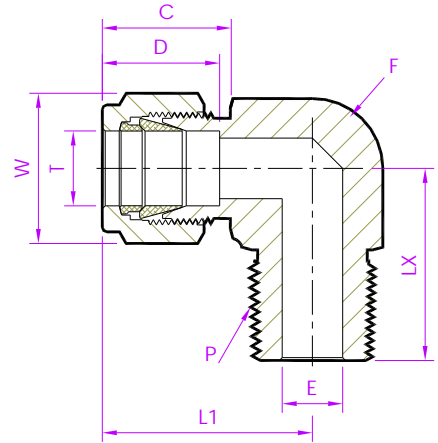


- Tube Fitting (Double Ferrule)-  
 Tube To Male Pipe Thread

# Male Elbow



Fractional Tube x ISO Tapered (M)

Tubefit Part No.	Equivalent Part No. Type 1	Equivalent Part No. Type 2	TUBE OD Ø T	ISO Male Pipe Size P	ØE	D	C	L1	LX	Body Hex F	Nut Hex W
Dimensions in Inches											
4 - MED - 4IT	- 400 - 2 - 4RT	4MSEL4K	1/4	1/4	0.19	0.60	0.70	1.06	0.92	9/16	9/16
4 - MED - 6IT	- 400 - 2 - 6RT	4MSEL6K		3/8	0.19			1.17	1.03	11/16	
4 - MED - 8IT	- 400 - 2 - 8RT	4MSEL8K		1/2	0.19			1.25	1.30	7/8	
6 - MED - 4IT	- 600 - 2 - 4RT	6MSEL4K	3/8	1/4	0.28	0.66	0.76	1.20	1.00	5/8	11/16
6 - MED - 6IT	- 600 - 2 - 6RT	6MSEL6K		3/8	0.28			1.23	1.03	11/16	
8 - MED - 6IT	- 810 - 2 - 6RT	8MSEL6K	1/2	3/8	0.41	0.90	0.86	1.35	1.25	3/4	7/8
8 - MED - 8IT	- 810 - 2 - 8RT	8MSEL8K		1/2	0.41			1.41	1.31	7/8	

NOTE: 1)The E Dimension is the minimum opening & Fittings of this group may be back drilling to lager ID at pipe thread or straight thread end.  
 2)Dimension LX, C, D is shown in the finger-tight position. 3)Dimensions are for reference only and are subject to change 4)ISO Tapered (BSPT) thread as per BS 21.  
 - ALL PART NUMBERS ARE PROPRIETARY OF THEIR RESPECTIVE OWNERS. -