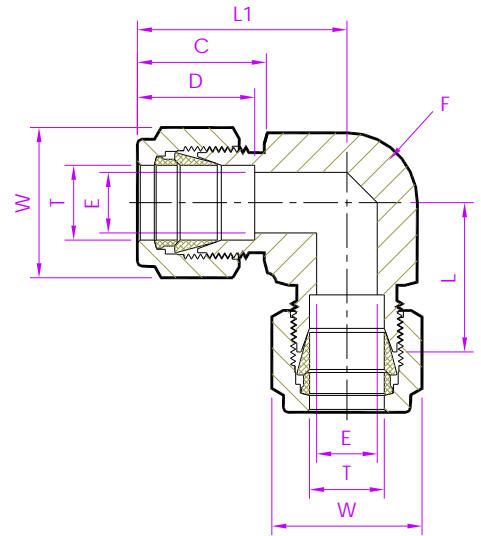


- Tube Fitting (Double Ferrule)-
Tube To Tube

Union Elbow



Metric Tube x Metric Tube

Tube Part No.	Equivalent Part No. Type 1	Equivalent Part No. Type 2	TUBE OD Ø T	ØE	D	C	L	L1	Body Hex F	Nut Hex W
Dimensions in Millimetres										
3M - UED	- 3MO - 9	EEM3	3	2.4	12.9	15.3	15.7	22.3	12.5	11.1
4M - UED	- 4MO - 9	EEM4	4	2.4	13.7	16.1	18.8	25.4	12.5	11.1
6M - UED	- 6MO - 9	EEM6	6	4.8	15.3	17.7	19.6	27.0	14	14.2
8M - UED	- 8MO - 9	EEM8	8	6.4	16.2	18.6	21.3	28.8	14	16
10M - UED	- 10MO - 9	EEM10	10	7.9	17.2	19.5	23.9	31.5	17.5	19
12M - UED	- 12MO - 9	EEM12	12	9.5	22.8	22.0	25.9	36.0	20.5	22.2
14M - UED	- 14MO - 9	EEM14	14	11.1	24.4	22.0	27.9	38.0	22.5	25.4
15M - UED	- 15MO - 9	EEM15	15	11.9	24.4	22.0	28.7	38.8	22.5	25.4
16M - UED	- 16MO - 9	EEM16	16	12.7	24.4	22.0	28.7	38.0	22.5	25.4
18M - UED	- 18MO - 9	EEM18	18	15.1	24.4	22.0	29.7	39.8	27	30
20M - UED	- 20MO - 9	EEM20	20	15.9	26.0	22.0	34.5	44.6	32	32
22M - UED	- 22MO - 9	EEM22	22	18.3	26.0	22.0	34.5	44.6	32	32
25M - UED	- 25MO - 9	EEM25	25	21.8	31.3	26.5	36.8	49.1	36	38

NOTE : 1)The E Dimension is the minimum opening. 2)Dimension L1, C, D is shown in the finger-tight position.
3)Dimensions are for reference only and are subject to change.

- ALL PART NUMBERS ARE PROPRIETARY OF THEIR RESPECTIVE OWNERS. -