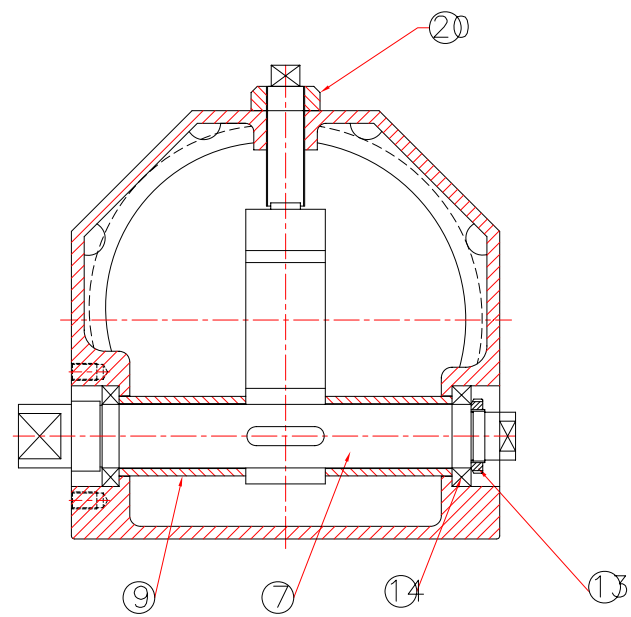
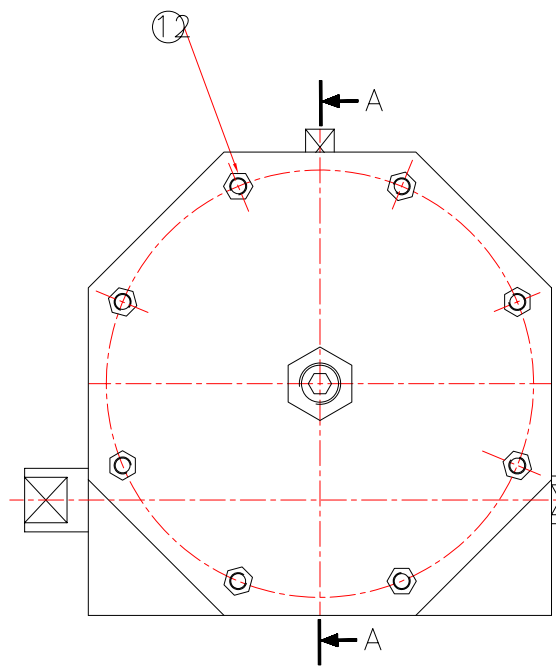


SECTION -AA



SECTION -BB

24	O-RING	2	NBR
23	NUT	2	HGA STEEL
22	HEX.SOC.SETS SCREW	2	HGA STEEL
21	SHC SRCEW	2	HGA STEEL
20	NUT	1	M.S
19	BEARING WASHER	1	BRASS
18	PLUG	1	M.S
17	LIP SEAL	2	NBR
16	TEFLON STRIP	2	CARBON FILLED PTFE
15	O-RING	2	NBR
14	BEARING	2	SKF-STD
13	LOCK NUT	1	HGA STEEL
12	NUT	16	HGA STEEL
11	TIE ROD	16	SS304
10	PIPE	2	M.S SEAMLESS
9	SPACER	2	M.S
8	KEY	2	M.S
7	SHAFT	1	M.S
6	PINION	1	M.S
5	RACK	1	M.S
4	PISTON SUPP.ROD	2	SS410
3	PISTON	2	CAST IRON
2	COVER	2	CAST IRON
1	CENTRE BLOCK	1	ALUMINIUM
SR.NO	DESCRIPTION	QTY	MATERIAL

DATE	ALTERATION	NAME	ADDITIONAL INFORMATION	MATERIAL :		
			UNSPECIFIED TOLERANCE		NAME	DATE
			00--010 :±0.05			
			10--030 :±0.1	DRAWN	SSB	21/06/04
			30--100 :±0.15	CHECKED		
			Above100 :±0.2	APPROVED		
			<b>ROTEX</b> VALVE AUTOMATION SYSTEM MANPADA ROAD, NEAR BHOPAR VILLAGE, DOMBIVLI (E)-421204. MAHARASHTRA (INDIA).			
			SCALE N.T.S.	DRAWING NUMBER 12-60-00-503		
			TITLE : <b>SECTIONAL DRAWING FOR DOUBLE ACTING DRC ACTUATOR</b>	REV.NO. 0		
			DRAWING PATH :- C: \ PROGRAMME FILES \ AUTOCAD 14 \	SHEET 1 OF 1		