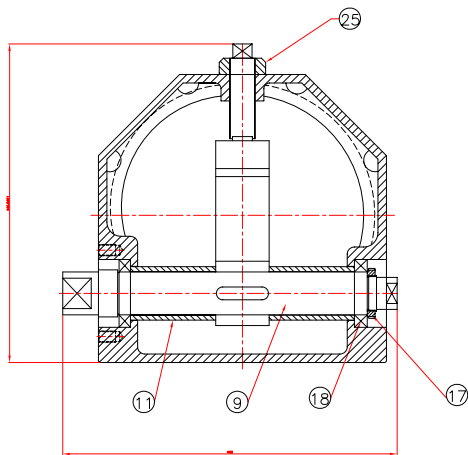
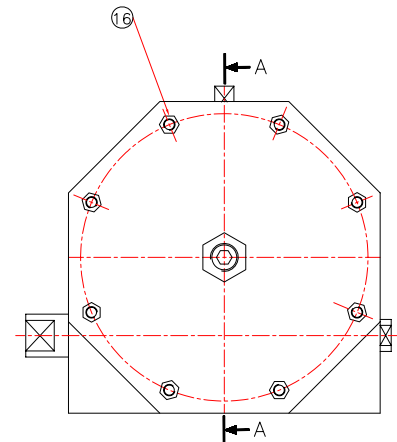


SECTION -AA



SECTION -BB

29	SPRING TENSIONER	1	M.S	
28	SPRING TENSIONER SUPPORT ROD	1	M.S	
27	SPRING	1	EN47	
26	INSERT	1	M.S	
25	NUT	1	M.S	
24	NUT	1	M.S	
23	BEARING WASHER	1	BRASS	
22	PLUG	1	M.S	
21	LIP SEAL	2	NBR	
20	TEFLON STRIP	2	CARBON FILLED PTFE	
19	O-RING	2	NBR	
18	BEARING	2	SKF-STD	
17	LOCK NUT	1	HGA STEEL	
16	NUT	16	HGA STEEL	
15	TIE ROD-2	8	SS304	
14	TIE ROD-1	8	SS304	
13	PIPE-2	1	M.S SEAMLESS	
12	PIPE-1	2	M.S SEAMLESS	
11	SPACER	2	M.S	
10	KEY	2	M.S	
9	SHAFT	1	M.S	
8	PINION	1	M.S	
7	RACK	1	M.S	
6	PISTON SUPP.ROD	2	SS410	
5	MIDDLE COVER	1	CAST IRON	
4	PISTON	2	CAST IRON	
3	SPRING COVER	1	CAST IRON	
2	COVER	1	CAST IRON	
1	CENTRE BLOCK	1	ALUMINIUM	
SR.NO	DESCRIPTION	QTY	MATERIAL	

34	SPRING TENSIONER PLATE	1	M.S	
33	O-RING	2	NBR	
32	NUT	2	HGA STEEL	
31	HEX.SOC.SETS SCREW	2	HGA STEEL	
30	SHC SRCEW	2	HGA STEEL	
SR.NO	DESCRIPTION	QTY	MATERIAL	

DATE	ALTERATION	NAME	ADDITIONAL INFORMATION	MATERIAL :
			UNSPECIFIED TOLERANCE 00--010    :±0.05 10--030    :±0.1 30--100    :±0.15 Above100   :±0.2	
			<b>ROTEX</b> VALVE AUTOMATION SYSTEM MANPADA ROAD, NEAR BHOPAR VILLAGE, DOMBIVLI (E)-421204, MAHARASHTRA (INDIA).	
				DRAWN   SSB   21/06/04
				CHECKED
				APPROVED
				DRAWING NUMBER 12-60-00-504
				REV.NO. 0
				SHEET 1 OF 1

DRAWING PATH :- C:\PROGRAMME FILES\AUTOCAD 14\